

Zennio[®]

Residential, Commercial and Hotel Automation Solutions

Index

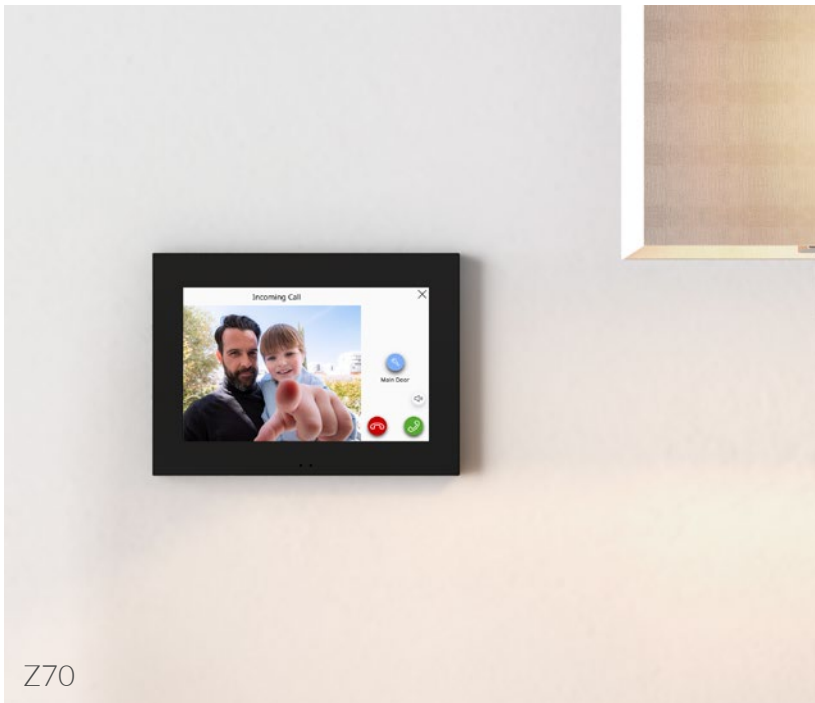
Z100 - Z70 - Z50 - Z41	04
Z40 - Z35 - Z28	28
Flat	40
Tecla	60
Presentia W	72
Switches & Sockets ZS55	78
Video Intercom GetFace IP	104
Access Control	118
Actuators	134



Z50



Z100



Z70



Z41

Touch Panels

Z100 - Z70 - Z50 - Z41

We introduce you to Zennio's Z's...

...who have everything you could expect from the most advanced touch screens in the market, starting with a demanding list of requirements:

- Full control of any installation with end user flexibility to program their own scenes, sequences using macros, timers for screen controls...
- Smartphone control with the same interface as the touch panel to make control easier and more intuitive
- Video intercom remote answering and opening so you really have full control of your installation
- Voice control: everything at reach without leaving the sofa!

But beyond functionality, our touch panels stand out for their aesthetics, providing additional distinction to the room they are installed in.

A 10/10 touch panel

Z100 is the top of Zennio's Z's range. With its stylish appearance, Z100 makes any room in which it is installed a bit extra glamorous.

How is it? Flat, compact and elegant, we could not define it better.



Z100 - 10"



Z70 - 7"

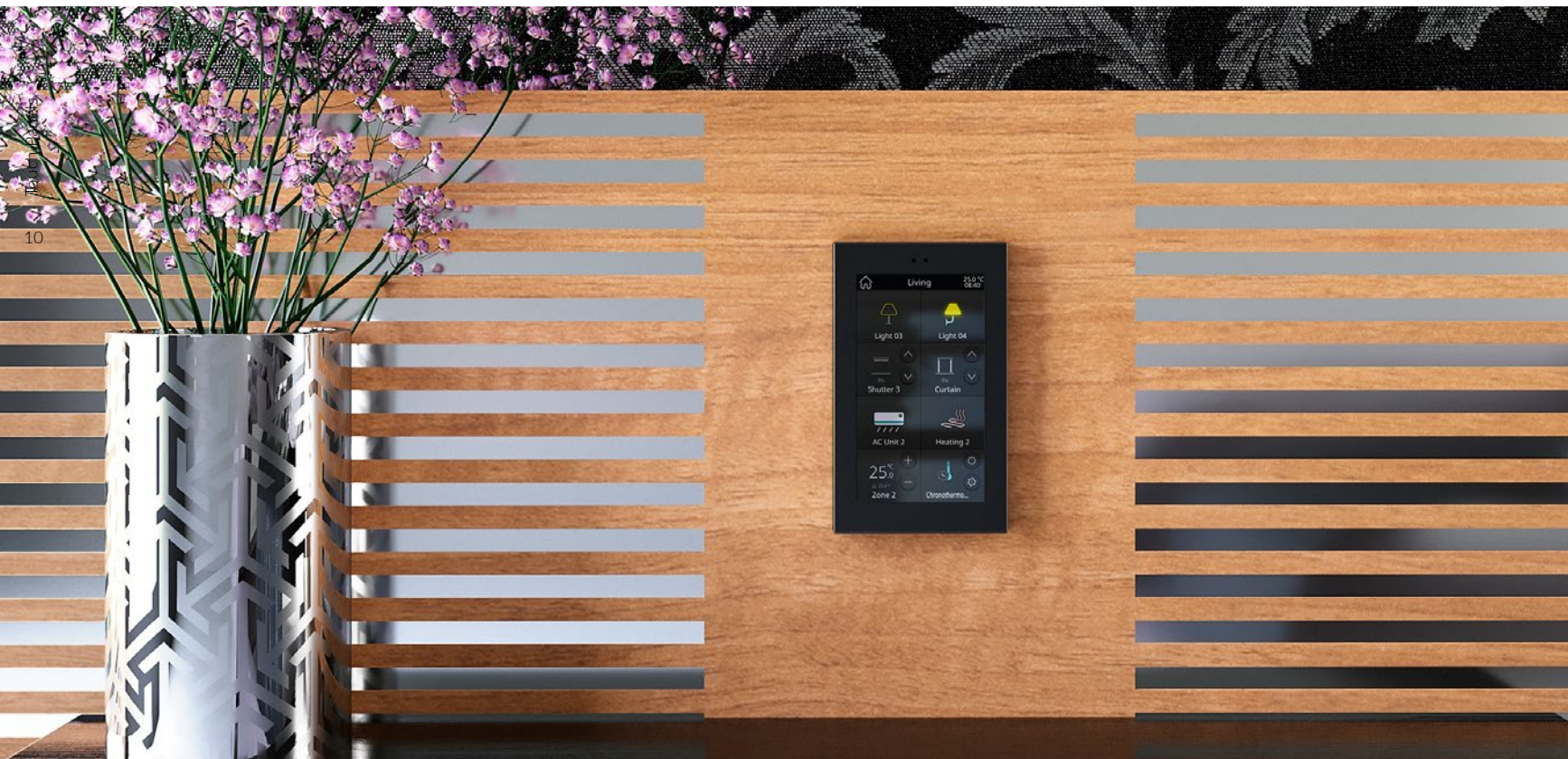
The qualitative leap we were waiting for

7-inch touch panel with licensed functionality to increase capabilities according to customer needs. With up to 144 control points, it stands out for its intuitive control, appealing and friendly user interface and, of course, the display quality.



A piece of art

Z50 has everything you are looking for in the touch panel that will become the heart of your smart home. Starting with the straight lines design, elegant and minimalistic, all the way up to its capabilities: in just 5 inches you will have full control of your KNX installation, including remote control, video intercom functionality and voice control. What else could you ask for?



Z50 - 5"



Z41 - 4.1"

Touch Panels
12



An ally you can always trust

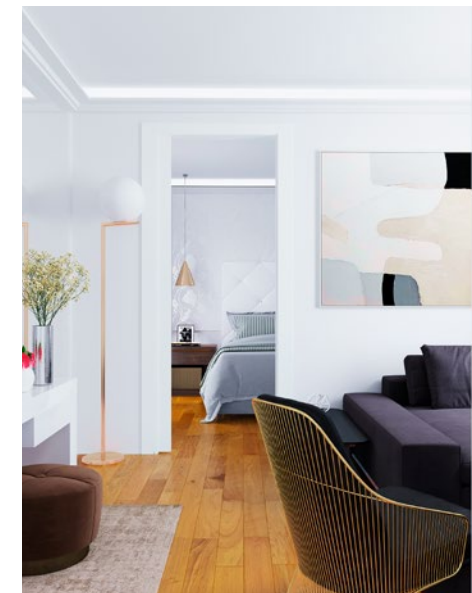
This capacitive touch panel has earned the trust of thousands of users throughout the years, thanks to its timeless design, its great control capabilities and its versatility, added to its compact design.

Z41 LITE
Full local control



Touch Panels
13

Z41 COM
Video intercom functionality



Z41 PRO
Remote control via
Z41 Remote app



“Alexa! Say thank you to Zennio for making my life easier”

There is nothing like controlling everything around you by just asking. Zennio makes this possible thanks to ZenVoice, a license for Z50/Z70/Z100 that allows you to use Alexa and Google voice assistants in your KNX installation without any extra device, just your Zennio touch panel.






Full management and control for any building

Get a comfortable air temperature, lighting with the appropriate dimming in each room, close all the blinds or manage the multimedia system with just one button. A system that fits your routine with configurable timers and receives technical alarms such as gas, smoke or flooding. Monitor energy consumptions centrally and start saving.



 Zennio Remote



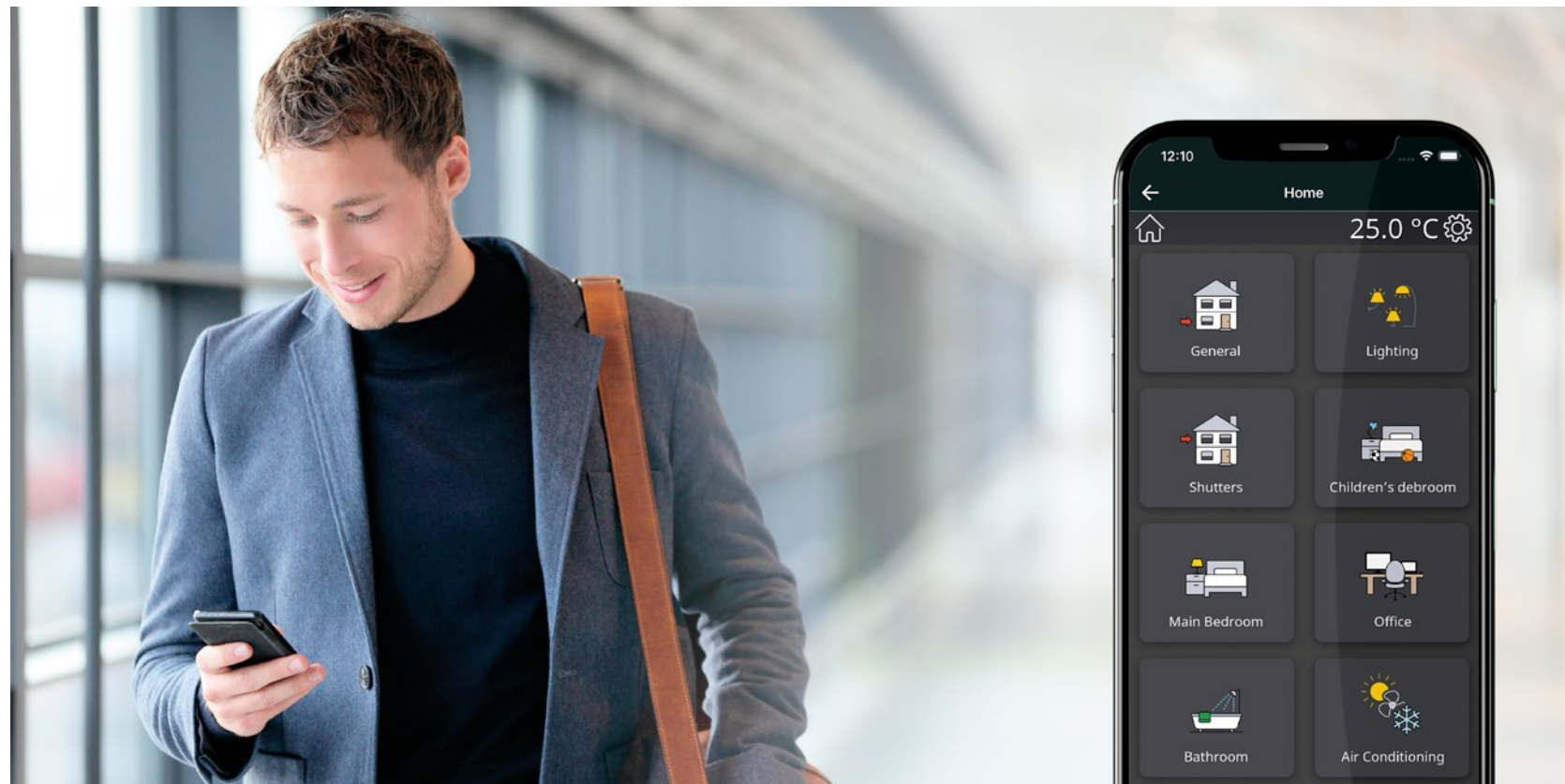
GET IT ON
Google Play

Download on the
App Store



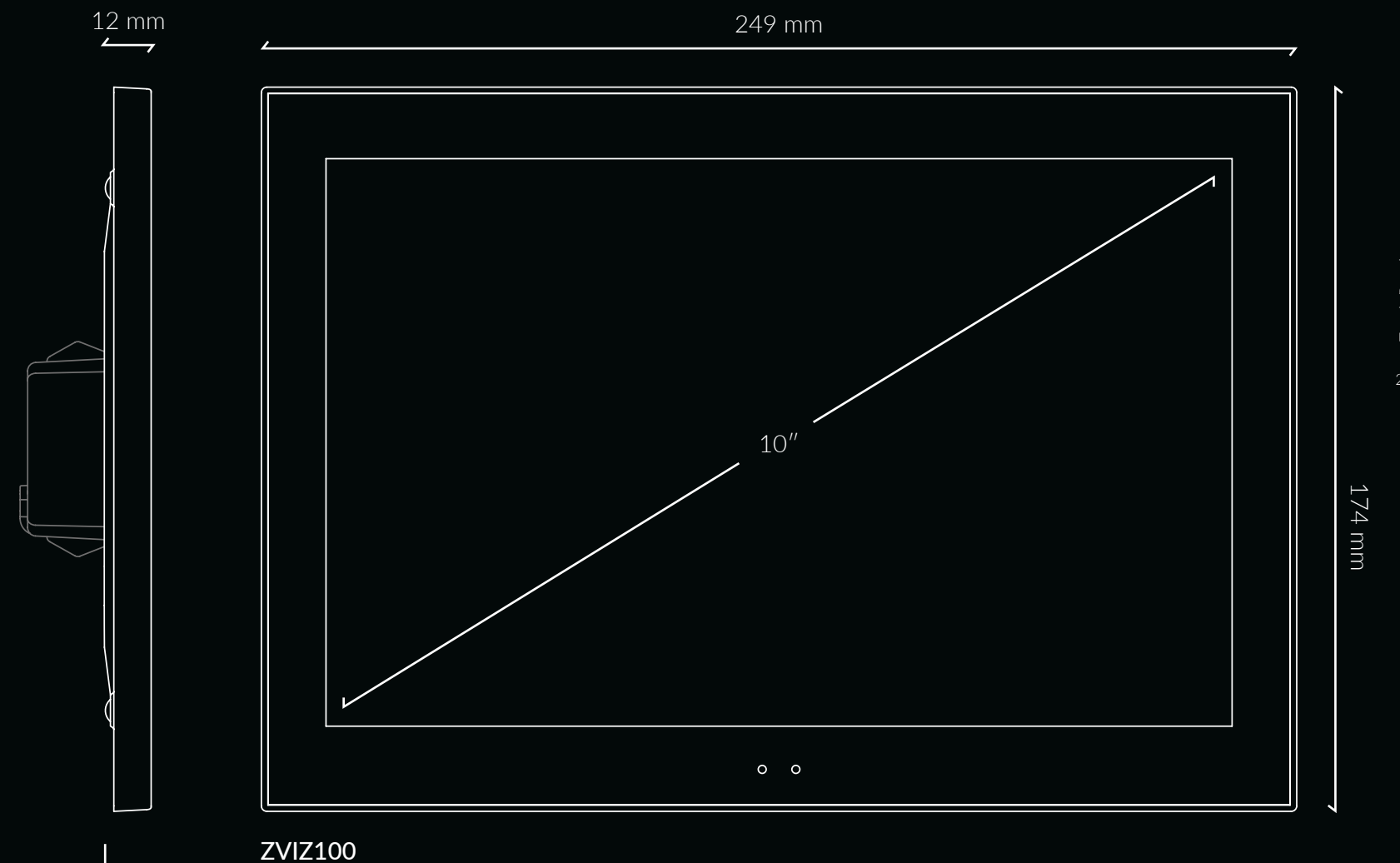
Home sweet home... at your fingertips and under control

If anything gives us peace of mind is knowing everything is under control. Zennio gives you the peace of knowing your home is under control wherever you are. This is thanks to Zennio's remote control apps, which allow to control and monitor any part of your installation from anywhere in the world.



References and specifications

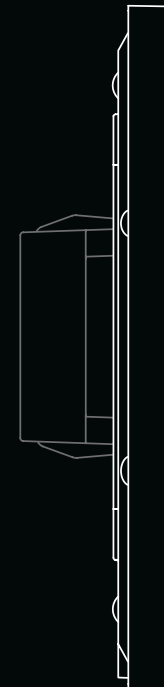
	Z50	Z70	Z100
Display size	5"	7"	10"
Controls and indicators in standard pages	96	144	180
Thermostats	2	2	2
Screensaver	✓	✓	✓
Multilanguage	✓	✓	✓
Custom icons	✓	✓	✓
Technical alarms	✓	✓	✓
Timers	✓	✓	✓
Temperature sensor	✓	✓	-
Proximity sensor	✓	✓	✓
Luminosity sensor for brightness automatic adjustment	✓	✓	✓
Colours: anthracite, silver, white and gloss white	✓	✓	✓
Analogue-digital inputs	2	4	4
Installation in European, British, Italian, American or Australian standard single back box	✓	-	-
Installation in European double or British double standard back box	-	✓	✓
Remote control (Ethernet)	Under license	Under license	Under license
Video intercom and internal calls	Under license	Under license	Under license
Voice control	Under license	Under license	Under license



References and specifications

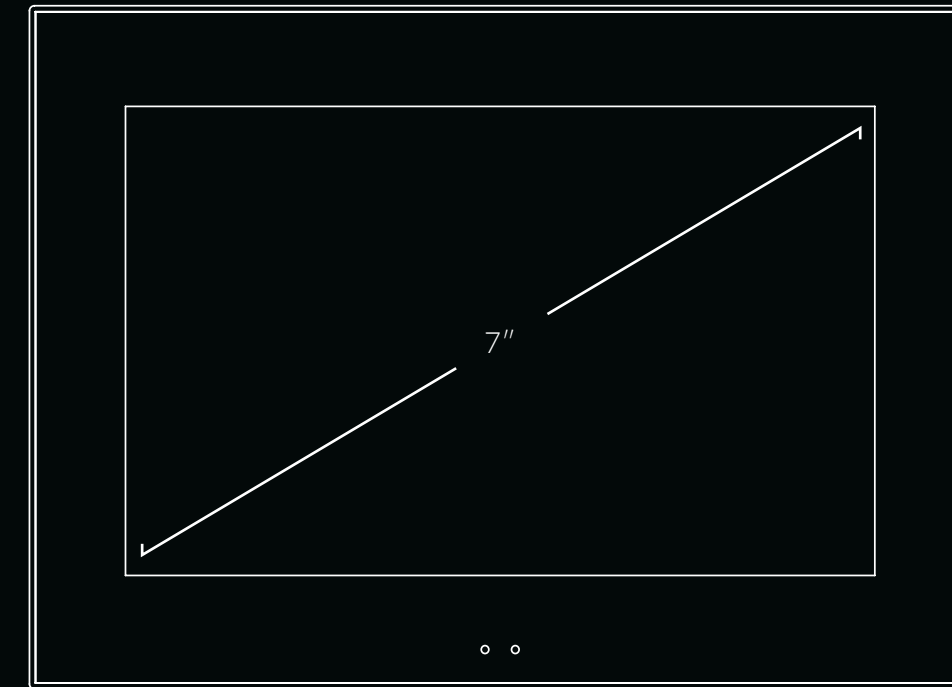
	Z50	Z70	Z100
Display size	5"	7"	10"
Controls and indicators in standard pages	96	144	180
Thermostats	2	2	2
Screensaver	✓	✓	✓
Multilanguage	✓	✓	✓
Custom icons	✓	✓	✓
Technical alarms	✓	✓	✓
Timers	✓	✓	✓
Temperature sensor	✓	✓	-
Proximity sensor	✓	✓	✓
Luminosity sensor for brightness automatic adjustment	✓	✓	✓
Colours: anthracite, silver, white and gloss white	✓	✓	✓
Analogue-digital inputs	2	4	4
Installation in European, British, Italian, American or Australian standard single back box	✓	-	-
Installation in European double or British double standard back box	-	✓	✓
Remote control (Ethernet)	Under license	Under license	Under license
Video intercom and internal calls	Under license	Under license	Under license
Voice control	Under license	Under license	Under license

12 mm



12 mm

189 mm

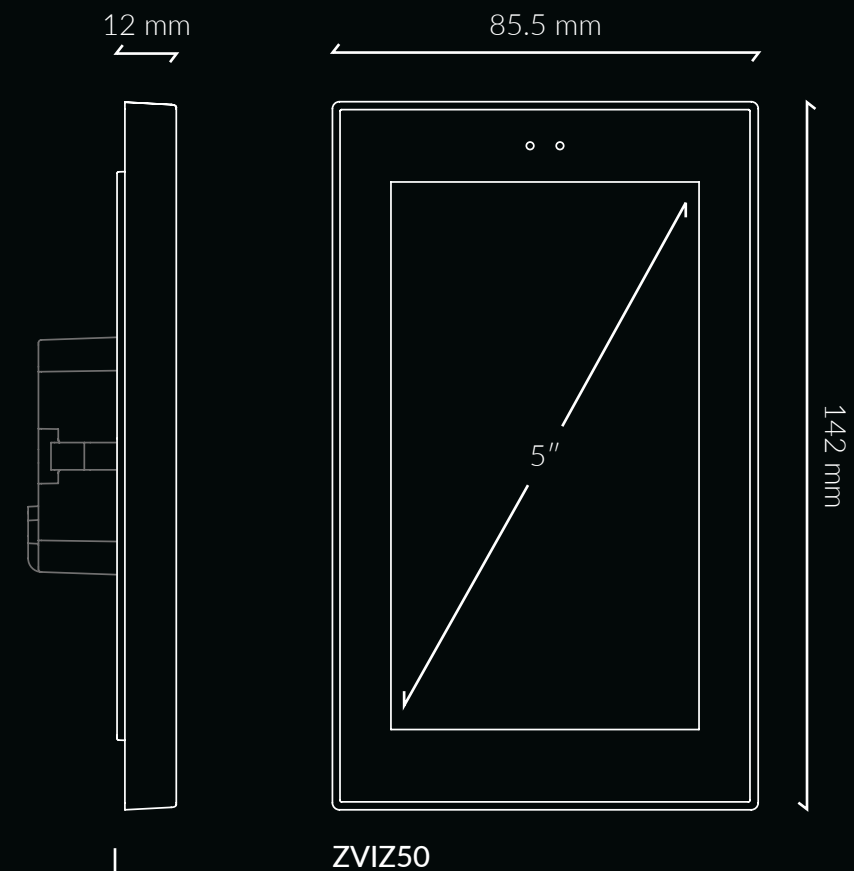


ZVIZ70V2

137 mm

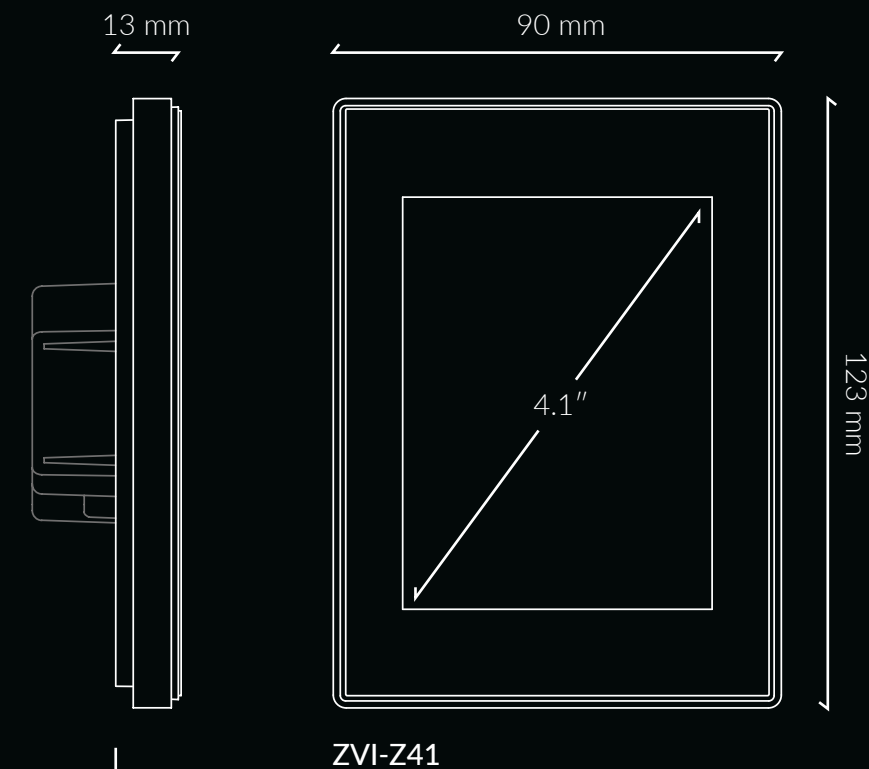
References and specifications

	Z50	Z70	Z100
Display size	5"	7"	10"
Controls and indicators in standard pages	96	144	180
Thermostats	2	2	2
Screensaver	✓	✓	✓
Multilanguage	✓	✓	✓
Custom icons	✓	✓	✓
Technical alarms	✓	✓	✓
Timers	✓	✓	✓
Temperature sensor	✓	✓	-
Proximity sensor	✓	✓	✓
Luminosity sensor for brightness automatic adjustment	✓	✓	✓
Colours: anthracite, silver, white and gloss white	✓	✓	✓
Analogue-digital inputs	2	4	4
Installation in European, British, Italian, American or Australian standard single back box	✓	-	-
Installation in European double or British double standard back box	-	✓	✓
Remote control (Ethernet)	Under license	Under license	Under license
Video intercom and internal calls	Under license	Under license	Under license
Voice control	Under license	Under license	Under license



References and specifications

	Z41 Lite	Z41 Pro	Z41 COM
Display size	4.1"	4.1"	4.1"
Controls and indicators in standard pages	96	96	96
Thermostats	2	2	2
Screensaver	✓	✓	✓
Multilanguage	✓	✓	✓
Technical alarms	✓	✓	✓
Timers	✓	✓	✓
Temperature sensor	✓	✓	✓
Colours: anthracite, silver, white	✓	✓	✓
Polycarbonate frames: black, silver and white	✓	✓	✓
Metallic frames: aluminium, gold, chrome and brass	✓	✓	-
Analogue-digital inputs	2	2	-
Installation in European or British back box	✓	✓	✓
Installation in Italian, American or Australian back box	✓	✓	✓
Remote control (Ethernet)	-	✓	✓
Video intercom and internal calls	-	-	✓



Z40



Room controllers

Z40 - Z35 - Z28

Room controllers

Room controllers

28



Z28



Z35 installed in Potidea Palace Hotel (Calcidica - Greece)

29

Ultra intuitive, elegant and with an extraordinary performance

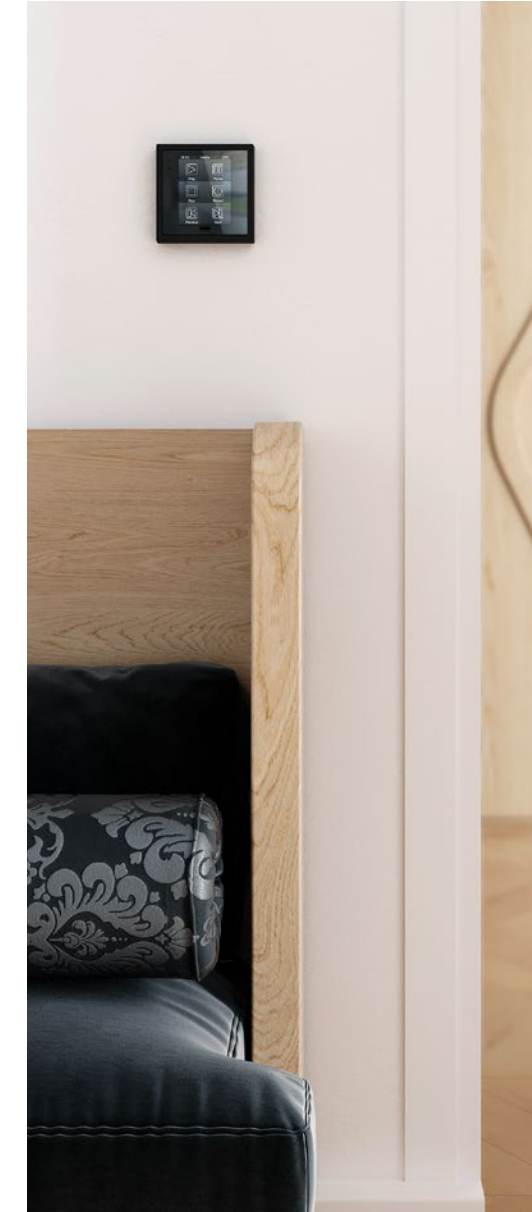
Intuitive screens with the latest capacitive technology to enjoy and obtain the highest performance in any room with a modern and elegant design. Its straight shaping fits perfectly into any deco and matches Zennio switches.

Different format,
same functionality



Z40

A 4.1" landscape colour touch panel that combines with any environment, ideal to combine with Italian, American or Australian style switches.



Z35

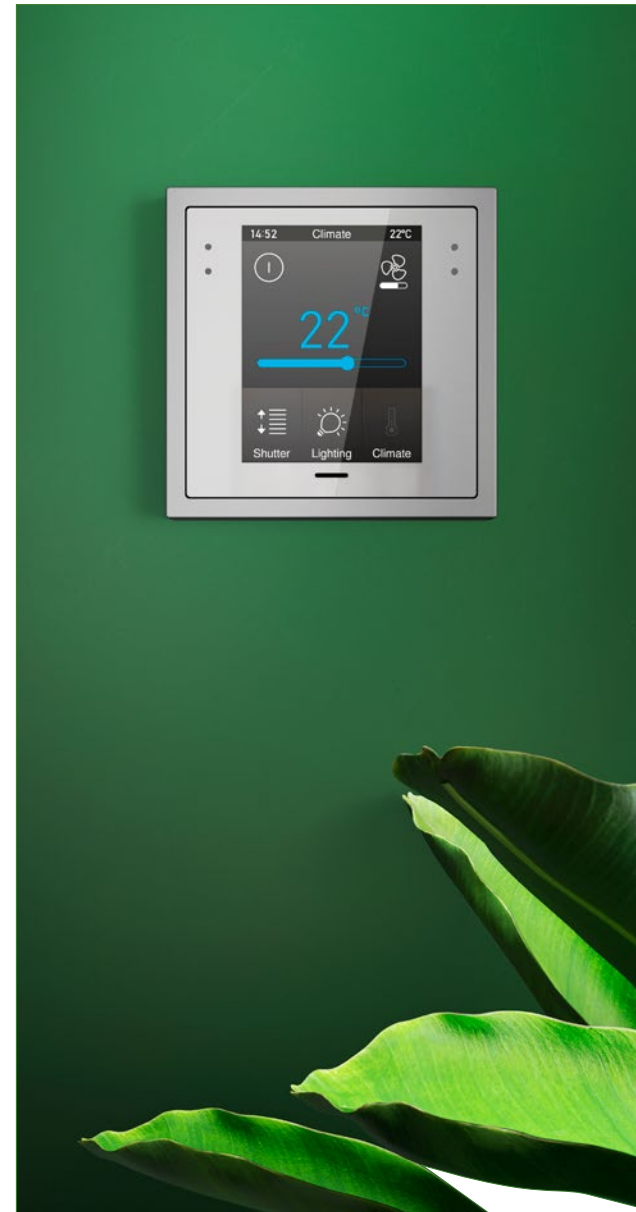
A 3.5" square colour touch panel to match all Zennio capacitive touch switches and achieve greater functionality in any room while maintaining aesthetic cohesion.

Z28

A little great revolution.
This 2.8" colour touch panel is a huge revolution due to its installation in 70x70 Zennio frames, making it a compact, discreet and multi-functional solution.

Much more than a thermostat...

Z28, Z35 and Z40 capacitive touch panels are much more than just thermostats. With multiple functionalities, they are conceived to make the most of your day to day. Whatever your option, you will be able to achieve a perfect ambience thanks to the multitude of actions, lighting scenes, HVAC and blinds control, play music from your smartphone...



Like if you'd always had it

Z28, Z35 and Z40 user interfaces are extremely visual and intuitive. With clear and simple home pages you will feel totally fine using them from the first touch.



Enjoy a perfect dream

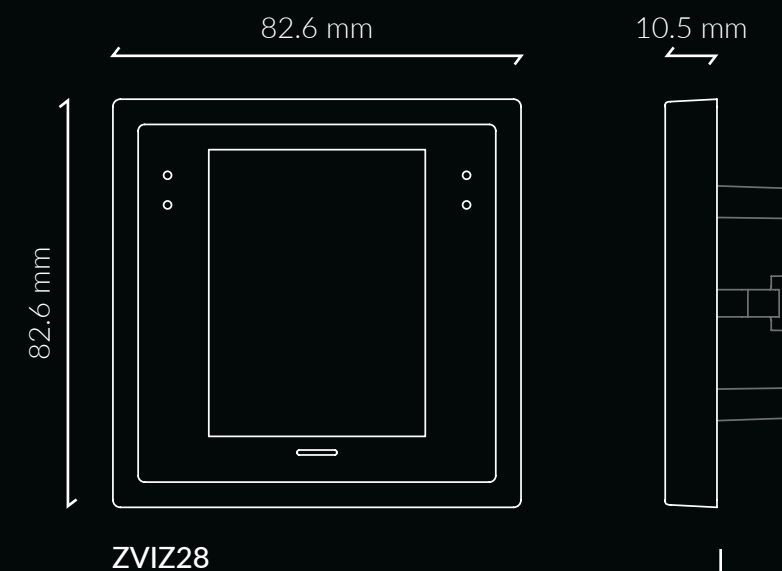
The displays adapt to ambience luminosity and user proximity.

Z28, Z35 and Z40 are smart touch displays that adapt to any scenario: with their proximity sensor the display is only active when approached for maximum comfort. While not in use, the screensaver can display a clock, a nice picture or just remain inactive, whatever you prefer! Moreover, it adapts to the ambience luminosity thanks to its luminosity sensor that dims the display.



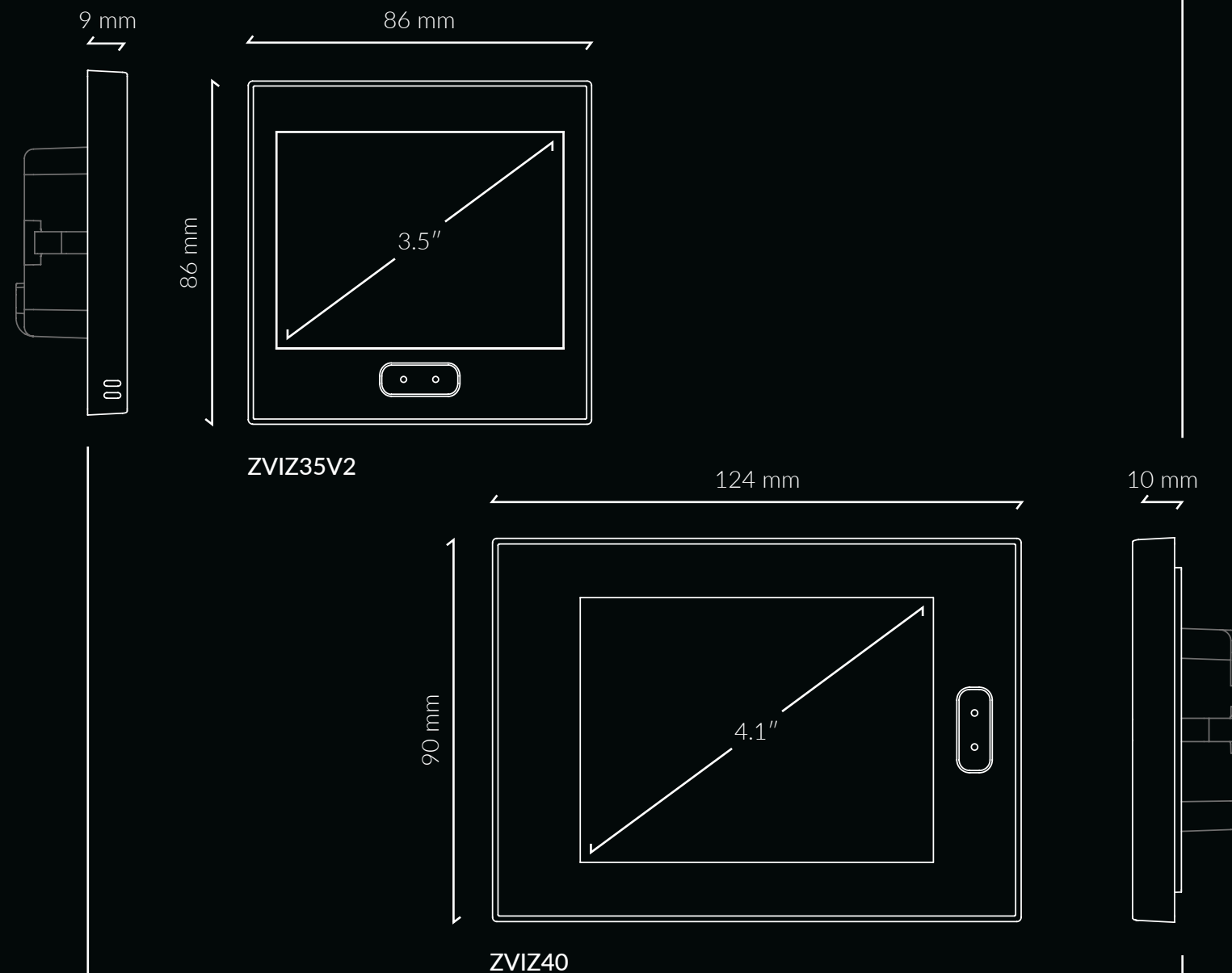
References and specifications

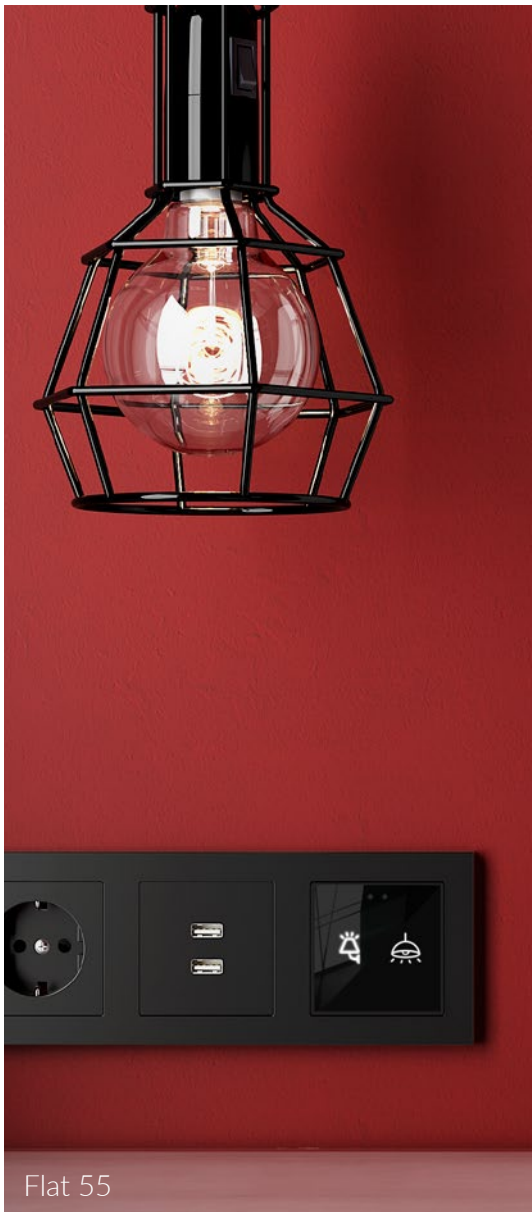
	Z28	Z35	Z40
Display size	2.8"	3.5"	4.1"
Controls and indicators in standard pages	35	56	56
Thermostats	2	2	2
Installation with Zennio 70x70 frames	✓	-	-
Thermostat pages	✓	✓	✓
Screensaver	✓	✓	✓
Multilanguage	✓	✓	✓
Temperature sensor	-	✓	✓
Proximity sensor	✓	✓	✓
Luminosity sensor for brightness automatic adjustment	✓	✓	✓
Humidity sensor	-	✓	-
Available colours	Anthracite, silver and white	Anthracite, silver, white and gloss white	Anthracite, silver, white and gloss white
Analogue-digital inputs for motion sensors, temperature probe or potential-free contacts	2	4	4
Installation in European or British back box	✓	✓	✓
Installation in Italian, American or Australian back box	-	-	✓



References and specifications

	Z28	Z35	Z40
Display size	2.8"	3.5"	4.1"
Controls and indicators in standard pages	35	56	56
Thermostats	2	2	2
Installation with Zennio 70x70 frames	✓	-	-
Thermostat pages	✓	✓	✓
Screensaver	✓	✓	✓
Multilanguage	✓	✓	✓
Temperature sensor	-	✓	✓
Proximity sensor	✓	✓	✓
Luminosity sensor for brightness automatic adjustment	✓	✓	✓
Humidity sensor	-	✓	-
Available colours	Anthracite, silver and white	Anthracite, silver, white and gloss white	Anthracite, silver, white and gloss white
Analogue-digital inputs for motion sensors, temperature probe or potential-free contacts	2	4	4
Installation in European or British back box	✓	✓	✓
Installation in Italian, American or Australian back box	-	-	✓





Flat 55



Flat



Flat XL

Capacitive panels

Flat 55 - Flat - Flat XL
Flat Sensato - Flat Ambient

Unique flat designs for
a distributed control

Glass capacitive switches, fully customizable according to your own style so you can choose the buttons and functions that you need in each room. Do you want it with or without a display? How many buttons? From a minimalistic design to a fully personalized one, pick the one that better meets your requirements. With backlit icons according to ambience luminosity so you can enjoy a relaxing and pleasing environment.

Infinite combinations

The perfect quality of glass and all the possibilities of personalization. Combine them however you want with the electrical accessories family, all flush fitted into 55x55 frames.



Flat 55

1, 2 or 4 buttons with backlit icons in a compact format for lighting, blinds or any other functionality.



Flat 55 Display

A unique design with a circular display. An elegant and discreet thermostat for an increased room comfort.



Your bespoke switch

Flat

Choose the number of buttons, 1, 2, 4 or 6, choose the backlit icons for each function according to your requirements and make it bespoke to control whatever you want in a quick and direct way.

Flat Display

A 2.4" display to show the status of the space where its placed plus 5 buttons to make it the perfect thermostat.



Flat XL

All the Flat family capabilities in a switch with greater possibilities: 4, 6, 8 or up to 10 buttons with backlit icons. It fits Italian, American or Australian styles... but over all it fits your own personal style.

Capacitive panels

46

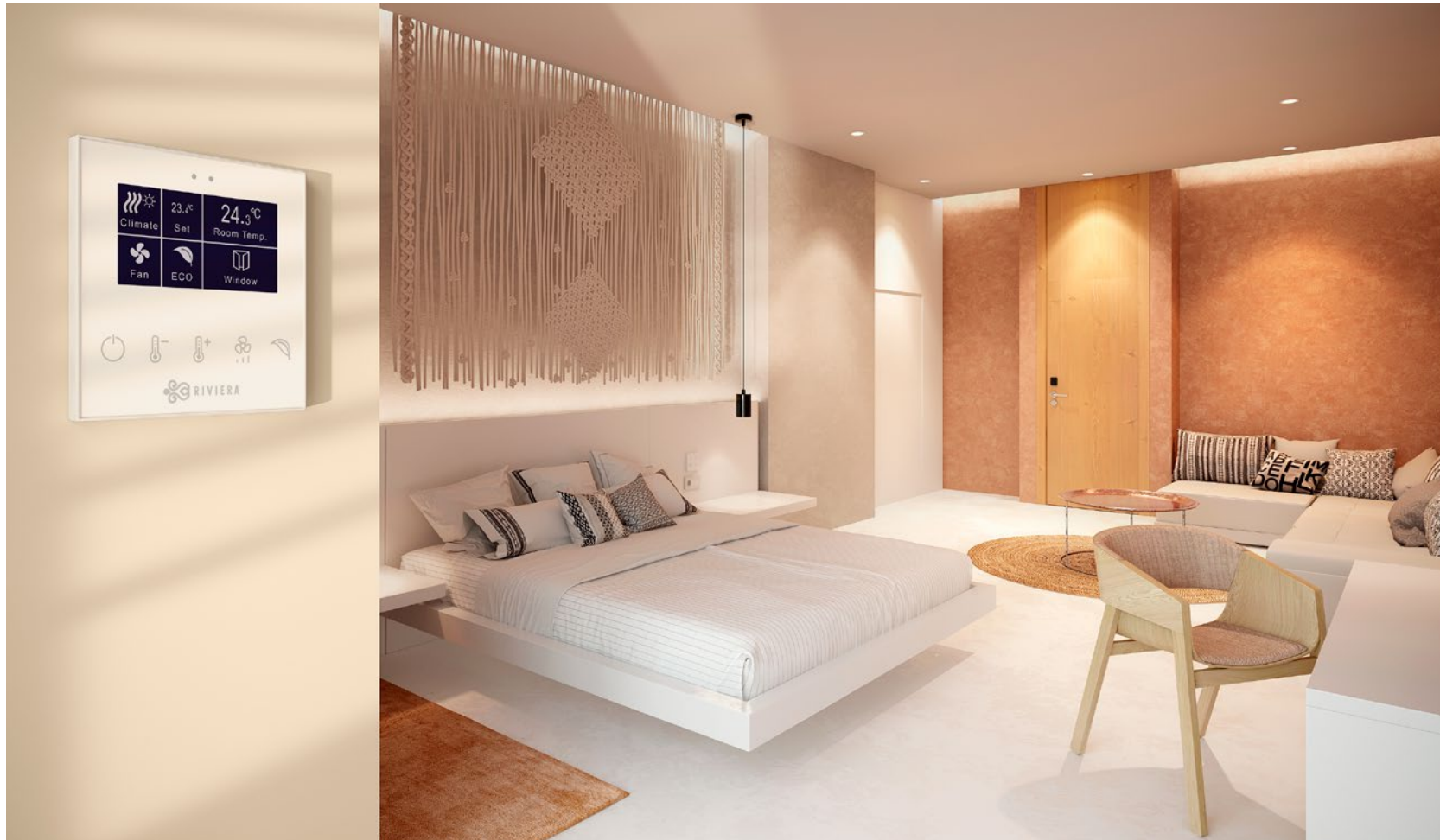


Capacitive panels

47

Infinite options, unique results

Pick between the minimalistic standard designs or make your own bespoke design with the glass finish and backlit icons elegance and quality.



Complete the family while maintaining aesthetics

Aesthetic cohesion is key for room harmony. The Flat family is completed with two devices that maintain the family looks adding unique value.

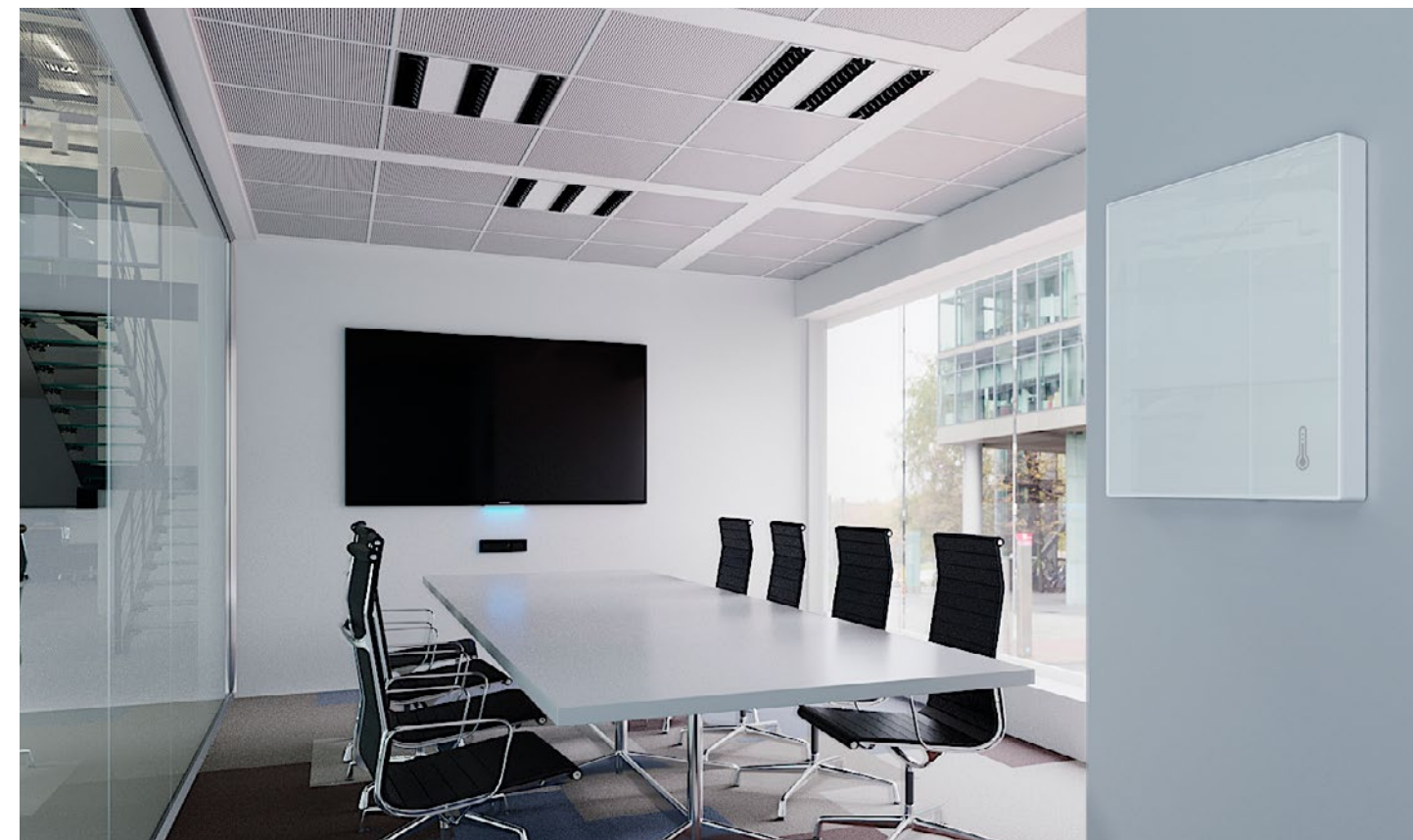
Flat Sensato

An environment with humidity control allows an optimal air quality, increasing comfort for those who want to control and improve every aspect of their lives.



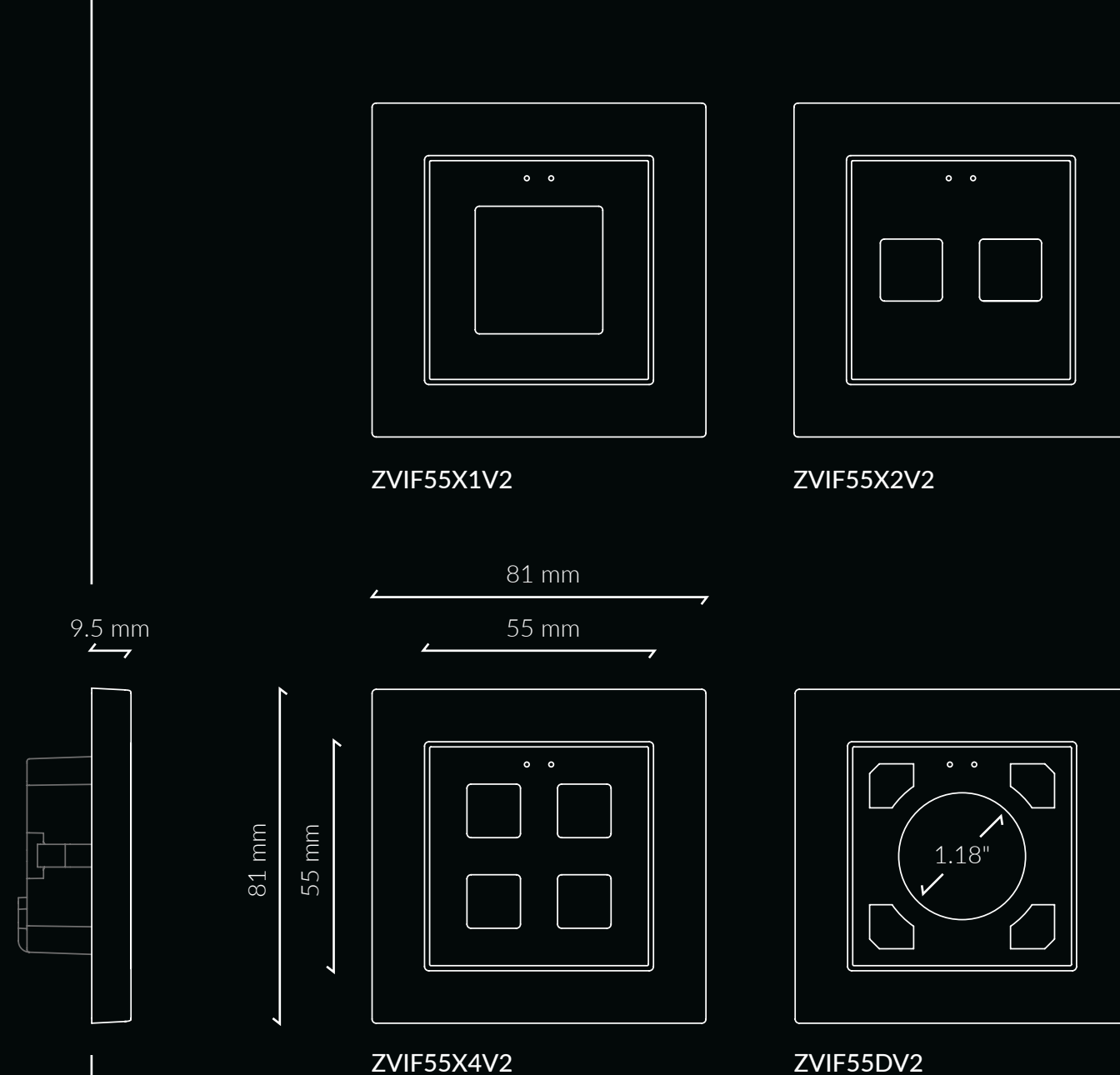
Flat AmbientT

For those rooms where only temperature reading is required while keeping the characteristic elegance of the Flat family.



References and specifications

	Flat 55	Flat 55 Display
Backlit icons	✓	✓
Luminosity sensor for brightness automatic adjustment	✓	✓
Proximity sensor	✓	✓
Thermostat	✓	✓
In-built temperature sensor	-	-
Installation in European standard mounting box	✓	✓
Installation in Italian, American or Australian standard mounting box	-	-
Combination with 55x55 series switches and sockets	✓	✓
Housing available in 4 colours (anthracite/silver/white/gloss white)	✓	✓
Customizable	✓	✓
Number of buttons	1/2/4	4
Backlit display	-	✓
2 analogue-digital inputs	✓	✓
Vertical or horizontal installation	✓	-

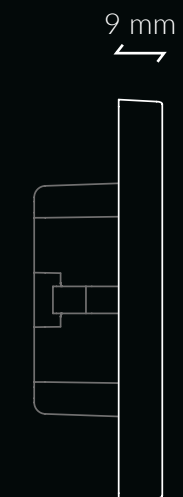
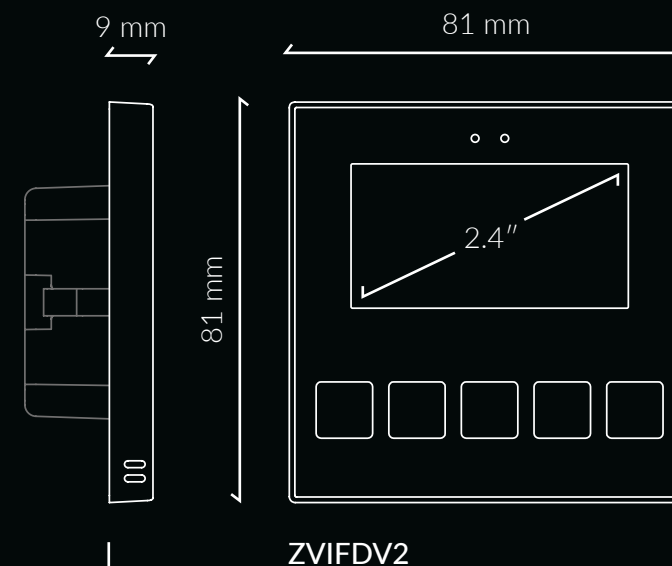


References and specifications

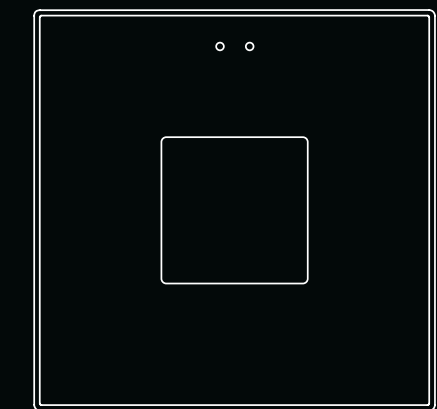
Capacitive panels

54

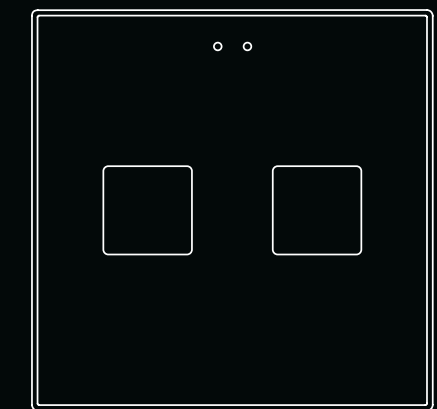
	Flat	Flat Display	Flat XL
Backlit icons	✓	✓	✓
Luminosity sensor for brightness automatic adjustment	✓	✓	✓
Proximity sensor	✓	✓	✓
Humidity sensor	-	✓	-
Thermostat	✓	✓	✓
In-built temperature sensor	✓	✓	✓
Installation in European or British standard mounting box	✓	✓	✓
Installation in Italian, American or Australian standard mounting box	-	-	✓
Combination with 55x55 series switches and sockets	-	-	-
Housing available in 4 colours (anthracite/silver/white/gloss white)	✓	✓	✓
Customizable	✓	✓	✓
Number of buttons	1/2/4/6	5	4/6/8/10
Backlit display	-	✓	-
2 analogue-digital inputs	✓	✓	✓
Vertical or horizontal installation	✓	-	✓



ZVIF1V2

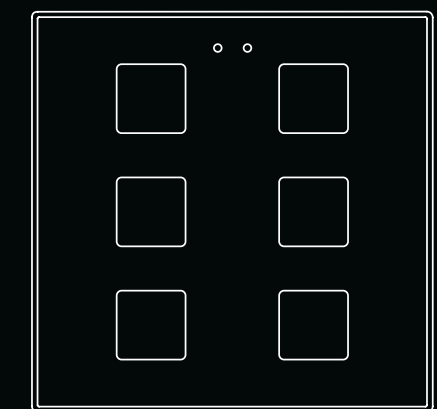


ZVIF2V2



ZVIF4V2

ZVIF6V2



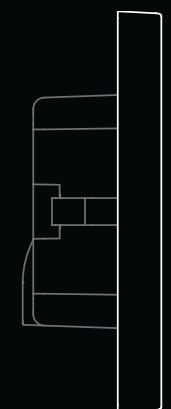
Capacitive panels

55

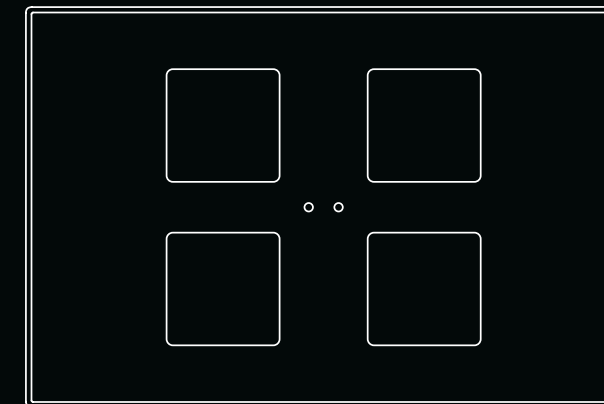
References and specifications

	Flat	Flat Display	Flat XL
Backlit icons	✓	✓	✓
Luminosity sensor for brightness automatic adjustment	✓	✓	✓
Proximity sensor	✓	✓	✓
Humidity sensor	-	✓	-
Thermostat	✓	✓	✓
In-built temperature sensor	✓	✓	✓
Installation in European or British standard mounting box	✓	✓	✓
Installation in Italian, American or Australian standard mounting box	-	-	✓
Combination with 55x55 series switches and sockets	-	-	-
Housing available in 4 colours (anthracite/silver/white/gloss white)	✓	✓	✓
Customizable	✓	✓	✓
Number of buttons	1/2/4/6	5	4/6/8/10
Backlit display	-	✓	-
2 analogue-digital inputs	✓	✓	✓
Vertical or horizontal installation	✓	-	✓

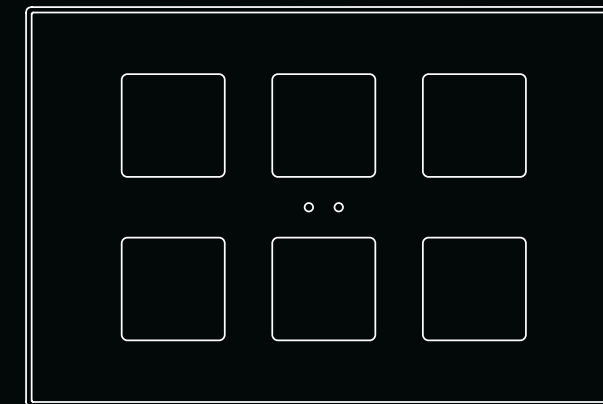
9 mm



82 mm

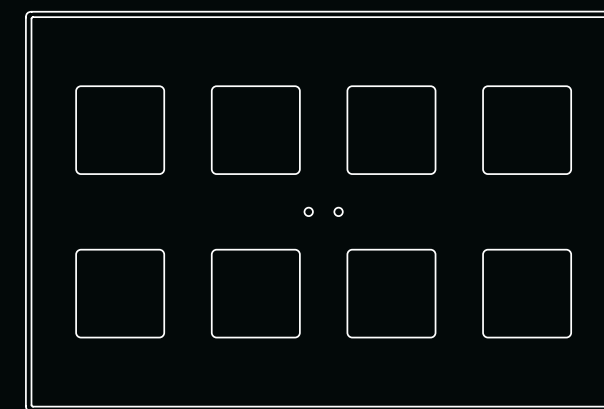


ZVIFXLX4

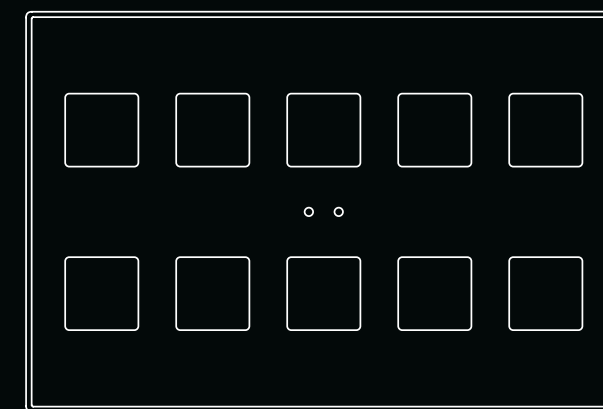


ZVIFXLX6

120 mm



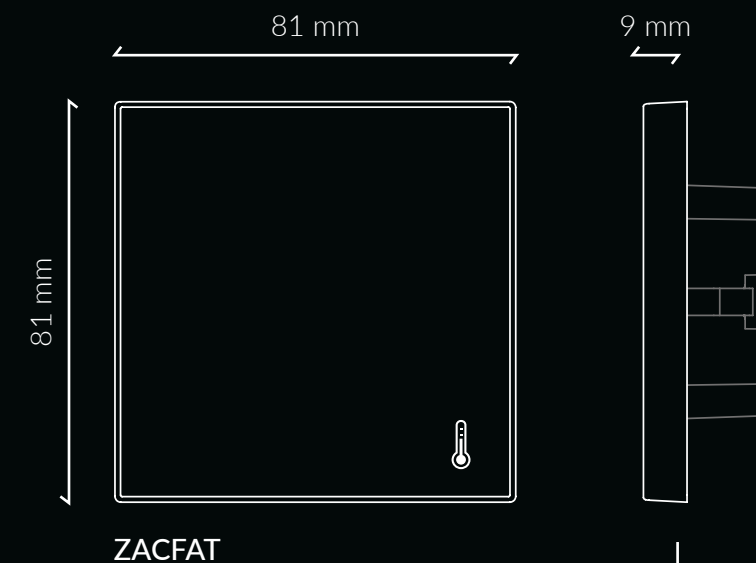
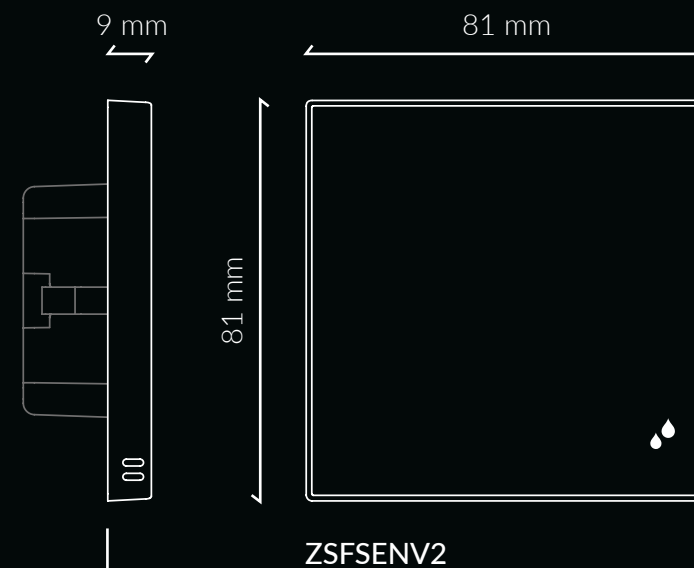
ZVIFXLX8



ZVIFXLX10

References and specifications

	Flat Sensato	Flat AmbienT
Humidity sensor	✓	-
In-built temperature sensor	✓	✓
Installation in European or British standard mounting box	✓	✓
Installation in Italian, American or Australian standard mounting box	-	-
Combination with 55x55 series switches and sockets	-	-
Customizable	-	-
Housing available in 4 colours (anthracite/silver/white/gloss white)	✓	✓
2 analogue-digital inputs	✓	-
Vertical or horizontal installation	-	-
KNX bus connection	✓	-



Tecla XL



Capacitive touch switches

Tecla 55 - Tecla XL

Capacitive touch switches

Capacitive touch switches



Tecla 55

The most versatile control with the most minimalistic design

Enjoy distributed control with the Tecla family to meet all your requirements. Its polycarbonate simplified aesthetics with a complete range of backlit icons allows for a one of a kind user experience.

Tecla brings simplicity to another level offering a discreet integration into any environment.

Tecla 55

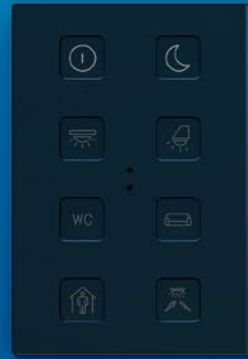
1, 2, 4 and 6-button touch switches to replace conventional switches and increase control options while reducing the required space. A perfect combination and integration with 55x55 flush-fitted sockets and accessories.



Tecla XL

4, 6, 8 and 10-button touch switches in rectangular format with a minimalistic design to meet every deco.

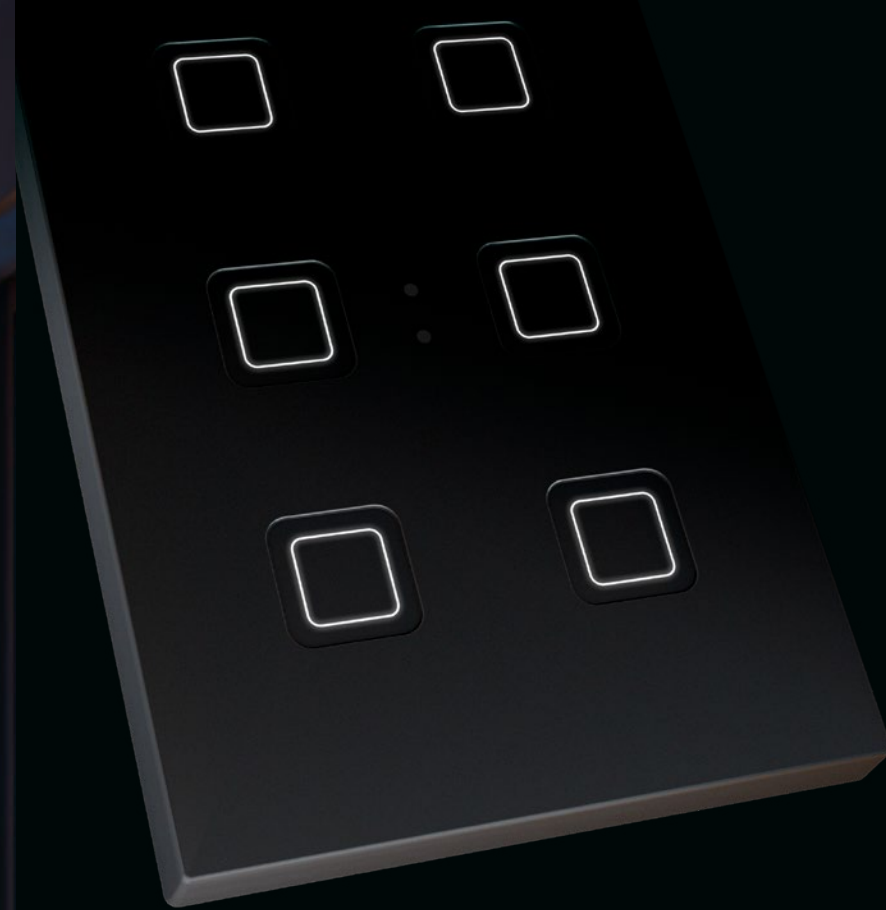




Bespoke functionality

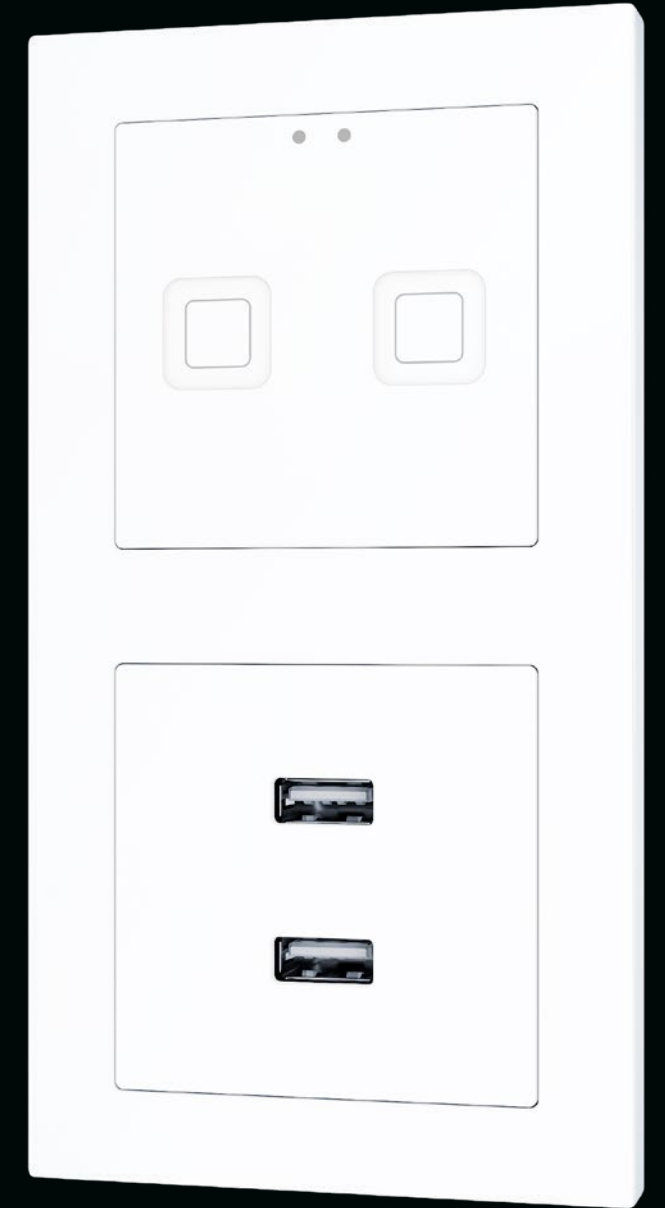
A full range of backlit icons to show the different functions each button controls.

Buttons become brighter when approached to show every available control option and dim when you move away.



The simplicity of standard

Minimalistic, sophisticated and timeless. Standard options fit every environment. Neutral designs that integrate perfectly into any space.



Tecla 55 X2 Sign

Room signalling and status selection device that allows to show guest preferences for making up the room or privacy in an intuitive, simple and elegant way.

When located outside the room it will let the hotel staff know the DND/MUR status selected by the guest as well as if the guest is currently inside the room.



References and specifications

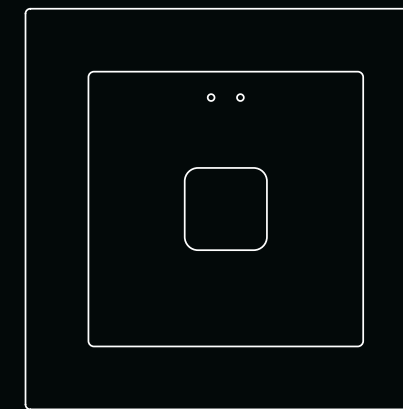
	Tecla 55	Tecla XL
Customizable backlit icons	✓	✓
Luminosity sensor for brightness automatic adjustment	✓	✓
Proximity sensor	✓	✓
Thermostat	✓	✓
Temperature sensor	Input for sensor	In-built
Installation in European standard mounting box	✓	✓
Installation in Italian, American or Australian standard mounting box	-	✓
Combination with 55x55 series switches and sockets	✓	-
3 colours available (anthracite/silver/white)	✓	✓
Number of buttons	1/2/4/6	4/6/8/10
Vertical or horizontal installation	✓	✓

9.5 mm



81 mm

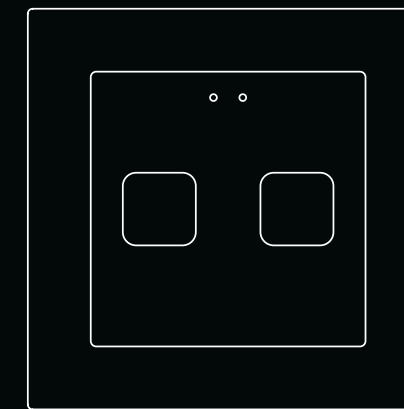
55 mm



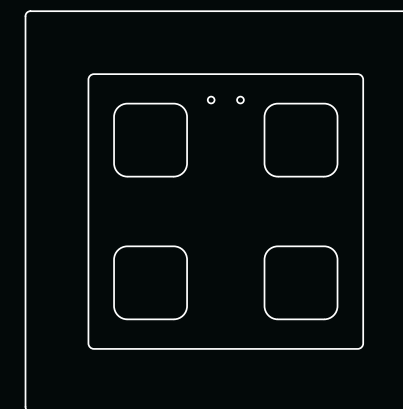
ZVIT55X1

81 mm

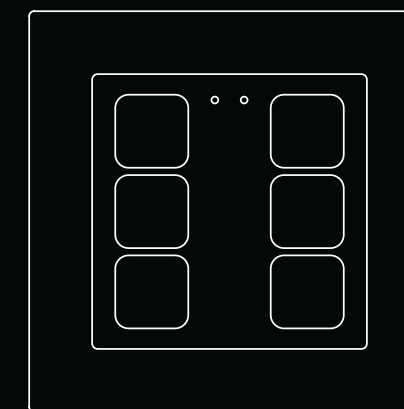
55 mm



ZVIT55X2



ZVIT55X4

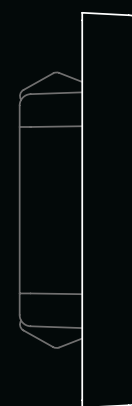


ZVIT55X6

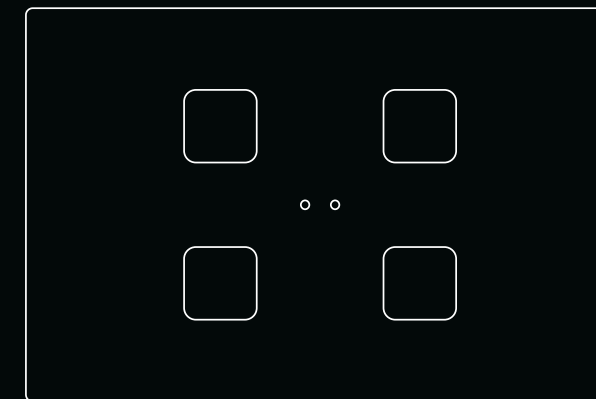
References and specifications

	Tecla 55	Tecla XL
Customizable backlit icons	✓	✓
Luminosity sensor for brightness automatic adjustment	✓	✓
Proximity sensor	✓	✓
Thermostat	✓	✓
Temperature sensor	Input for sensor	In-built
Installation in European standard mounting box	✓	✓
Installation in Italian, American or Australian standard mounting box	-	✓
Combination with 55x55 series switches and sockets	✓	-
3 colours available (anthracite/silver/white)	✓	✓
Number of buttons	1/2/4/6	4/6/8/10
Vertical or horizontal installation	✓	✓

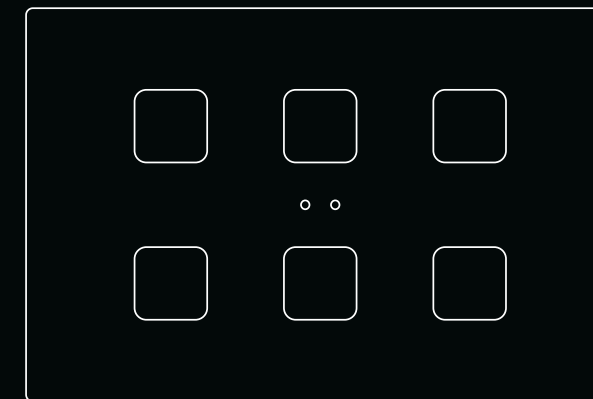
9.5 mm



79.5 mm

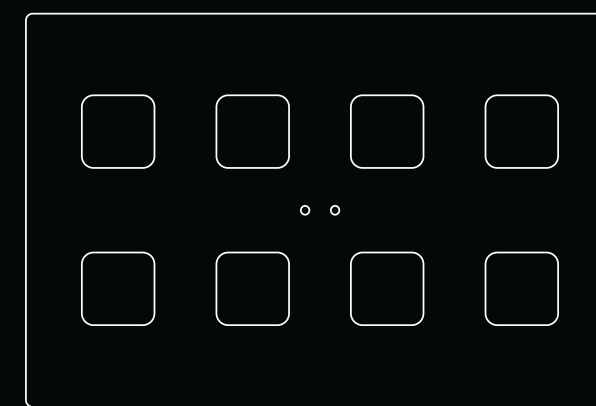


ZVITXLX4

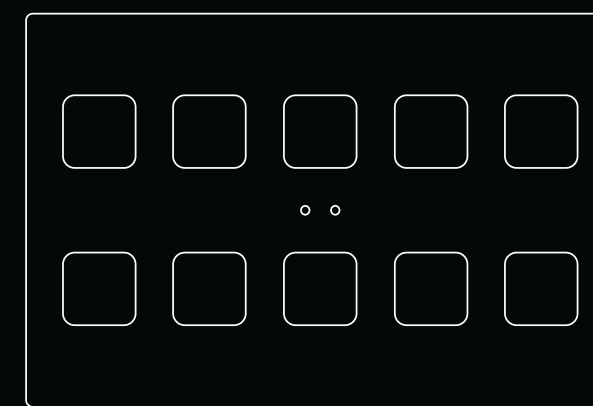


ZVITXLX6

119 mm



ZVITXLX8



ZVITXLX10



A step towards
ambient intelligence

Wall-mounted motion detector

Presentia W

Run any desired function with just moving thanks to the 180° wall-mounted motion detector. Combine it with switches and electrical accessories and it will be discreetly integrated in any ambience.

Guaranteed discretion

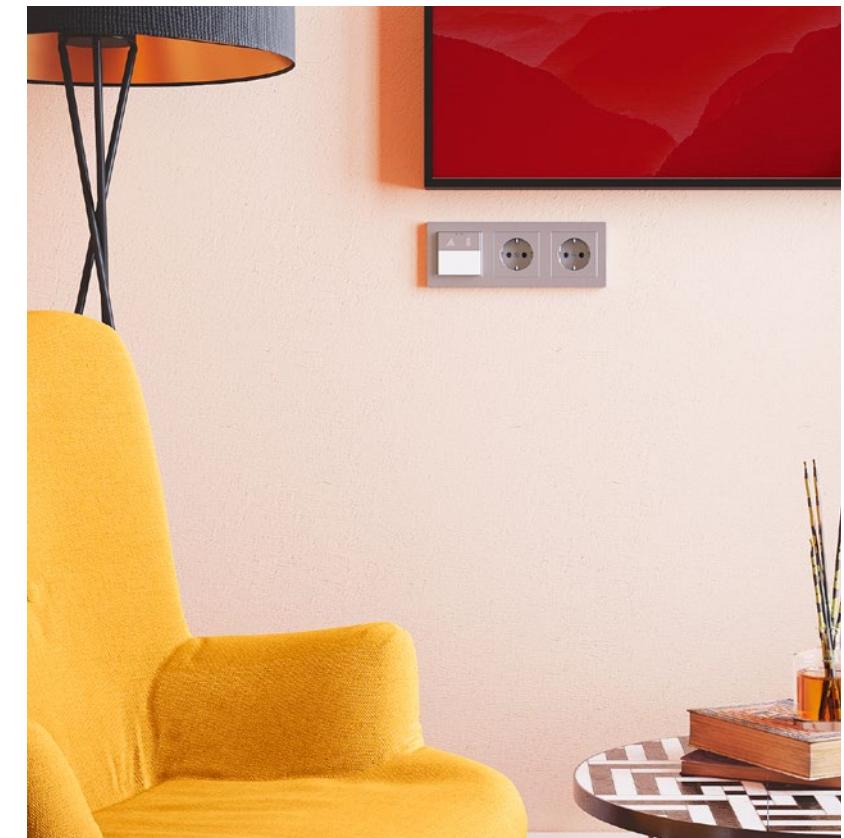
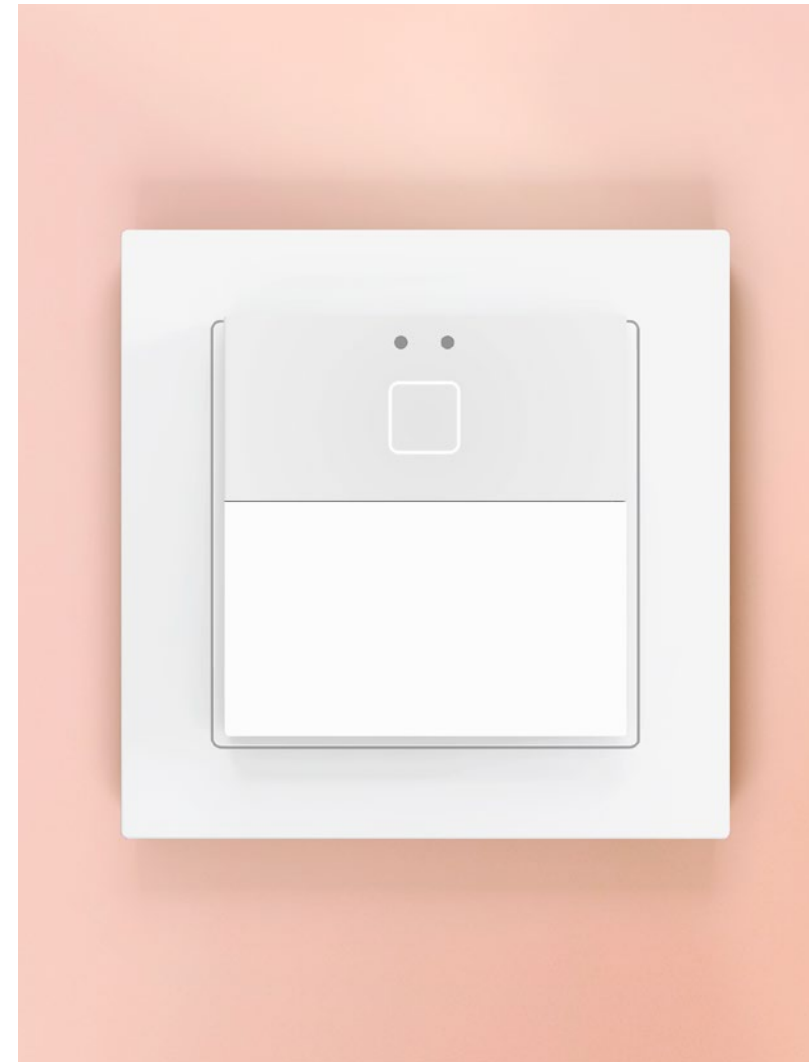
An elegant option for rooms or corridors thanks to its seamless integration with the Tecla 55 and Flat 55 families as well as the ZS55 electrical accessories range.



Much more than a motion detector

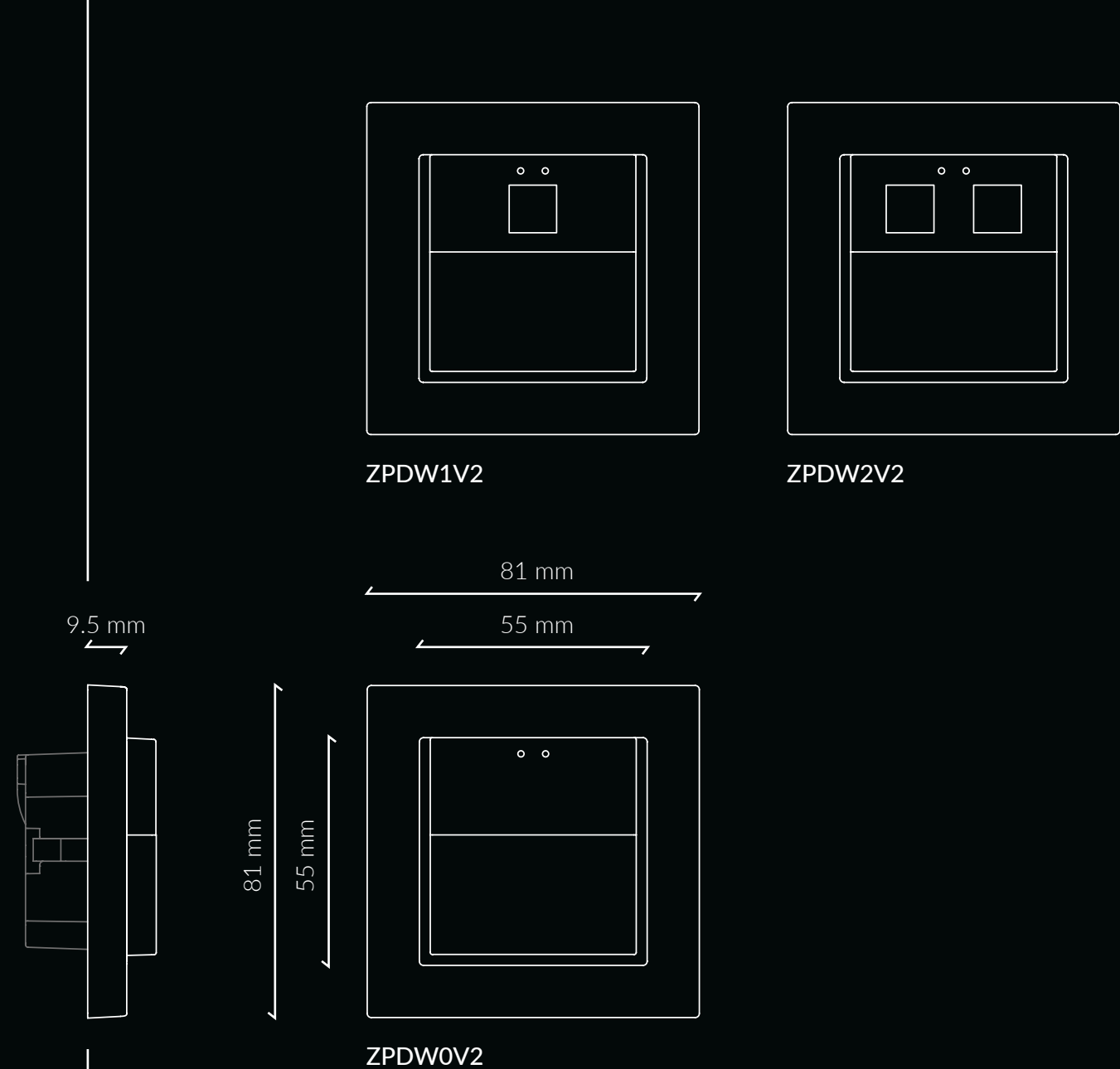
Control any function with the additional backlit buttons in Presentia W1 and Presentia W2 models.

Choose between personalized or standard icons according to your control requirements.



References and specifications

	Presentia W0	Presentia W1	Presentia W2
Maximum detection length	10 m	10 m	10 m
Detection area	180°	180°	180°
Number of buttons	-	1	2
Customizable backlit icons	-	✓	✓
Luminosity sensor for brightness automatic adjustment	✓	✓	✓
Proximity sensor	-	✓	✓
Installation in European standard mounting box	✓	✓	✓
Installation in Italian, American or Australian standard mounting box	-	-	-
Combination with 55x55 series switches and sockets	✓	✓	✓
3 colours available (anthracite/silver/white)	✓	✓	✓





Switches and sockets

ZS55

Complete your smart home installation with the electrical accessories that better combine with the touch panels, displays and touch switches. With timeless designs and flush-fitted into the frames. Combine them as you wish.

Sockets



Schuko



French



Euro-American



Single push-button



Double push button

Switches

USB Charger



Double USB charger

82 Switches and sockets

Data outlets



Single RJ45



Double RJ45

83 Switches and sockets

Multimedia outlets



3.5 mm Jack and RCA



TV-R Aerial

Accessories



Blind cover and cable outlet



1, 2, 3 and 4-module frames

Frames



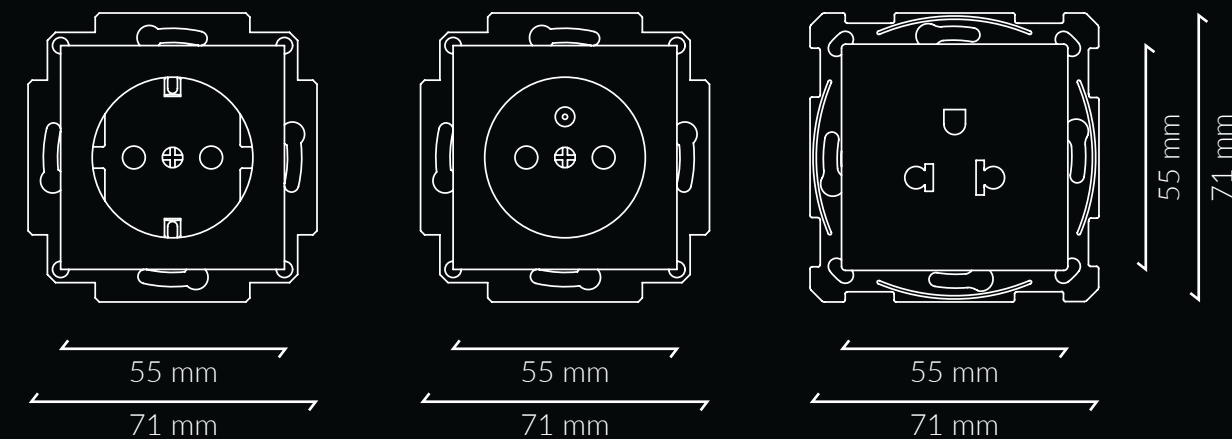
References and specifications

	Schuko
Schuko socket insert 16 A / 250 V ~ - screw terminals (without cover 8300004xx)	8300003
Schuko socket cover 55x55 mm - Anthracite	830000405
Schuko socket cover 55x55 mm - Silver	830000406
Schuko socket cover 55x55 mm - White	830000407
Schuko socket cover 55x55 mm - Gloss White	830000408

	French
French socket insert 16 A / 250 V ~ - screw terminals (without cover 8300006xx)	8300005
French socket cover 55x55 mm - Anthracite	830000605
French socket cover 55x55 mm - Silver	830000606
French socket cover 55x55 mm - White	830000607
French socket cover 55x55 mm - Gloss White	830000608

	Euro-American
Euro-American socket insert - screw terminals (without cover 8300002xx)	8300001
Euro-American socket cover 55x55 mm - Anthracite	830000205
Euro-American socket cover 55x55 mm - Silver	830000206
Euro-American socket cover 55x55 mm - White	830000207
Euro-American socket cover 55x55 mm - Gloss White	830000208

	Schuko	French	Euro-American
Colours: anthracite, silver, white and gloss white	✓	✓	✓
Socket type	F	E	Euro-American
Rated current / voltage	16 A / 250 V ~	16 A / 250 V ~	16 A / 127-250 V ~
Maximum cable cross-section	2.5 mm ²	2.5 mm ²	2.5 mm ²
Connection method	Screw terminal block	Screw terminal block	Screw terminal block
Fixing mechanism	With screws. Optional claws	With screws. Optional claws	With screws. Optional claws
Child safety shutter	✓	✓	✓
Norm	IEC 60884-1	IEC 60884-1	-



References and specifications

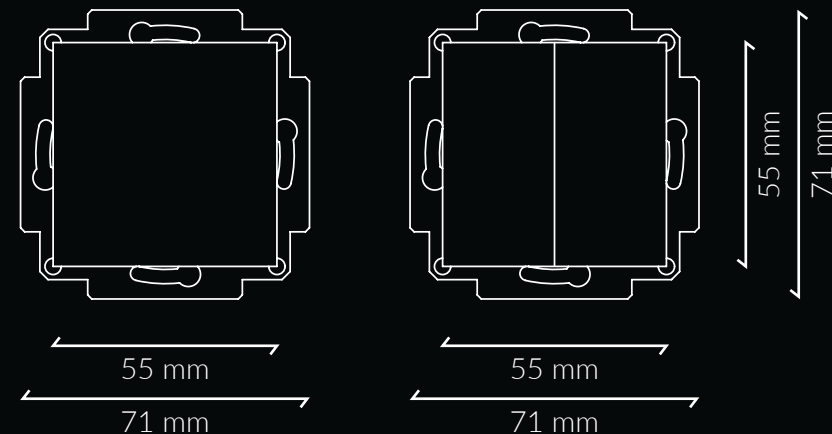
Single switch / push button

Single one-way rocker switch insert 10 AX / 250 V ~ (without cover 8300017xx)	8300016
Single two-way rocker switch insert 10 AX / 250 V ~ (without cover 8300017xx)	8300031
Single intermediate rocker switch insert 10 AX / 250 V ~ (without cover 8300017xx)	8300032
Single push button switch insert 10 A / 250 V ~ (without cover 8300017xx)	8300033
Single switch cover 55x55 mm - Anthracite	830001705
Single switch cover 55x55 mm - Silver	830001706
Single switch cover 55x55 mm - White	830001707
Single switch cover 55x55 mm - Gloss White	830001708
Single switch cover 55x55 mm - Anthracite - Custom	830004205
Single switch cover 55x55 mm - Silver - Custom	830004206
Single switch cover 55x55 mm - White - Custom	830004207
Single switch cover 55x55 mm - Gloss White - Custom	830004208

Double switch / push button

Double one-way rocker switch insert 10 AX / 250 V ~ (without cover 8300019xx)	8300018
Double two-way rocker switch insert 10 AX / 250 V ~ (without cover 8300019xx)	8300034
Double push button switch insert 10 A / 250 V ~ (without cover 8300019xx)	8300036
Double switch cover 55x55 mm - Anthracite	830001905
Double switch cover 55x55 mm - Silver	830001906
Double switch cover 55x55 mm - White	830001907
Double switch cover 55x55 mm - Gloss White	830001908
Double switch cover 55x55 mm - Anthracite - Custom	830004405
Double switch cover 55x55 mm - Silver - Custom	830004406
Double switch cover 55x55 mm - White - Custom	830004407
Double switch cover 55x55 mm - Gloss White - Custom	830004408

	Simple	Double
Colours: anthracite, silver, white and gloss white	✓	✓
Rated current / voltage	10 AX / 250 V ~	10 AX / 250 V ~
Maximum cable cross-section	2.5 mm ²	2.5 mm ²
Connection method	Screw terminal block	Screw terminal block
Fixing mechanism	With screws. Optional claws	With screws. Optional claws
Personalised icons on cover	✓	✓
International standard	IEC 60669-1	IEC 60669-1



References and specifications

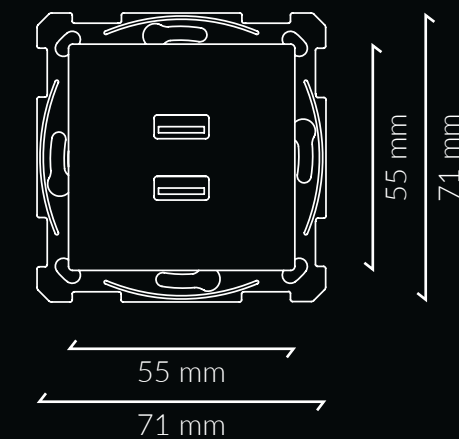
	USB charger
Double USB charger insert 5 V / 3.5 A (without cover 8300008xx)	8300007
Cover plate for double USB charger 55x55 mm - Anthracite	830000805
Cover plate for double USB charger 55x55 mm - Silver	830000806
Cover plate for double USB charger 55x55 mm - White	830000807
Cover plate for double USB charger 55x55 mm - Gloss White	830000808

Double USB charger

Colours: anthracite, silver, white and gloss white



Input voltage	100 - 240 V ~
Output voltage	5 V DC
Output current	3.5 A (max)
Standby consumption	< 0.05 W
Connection method	Screw terminal block
Fixing mechanism	With screws. Optional claws
Insert type	2 x USB A

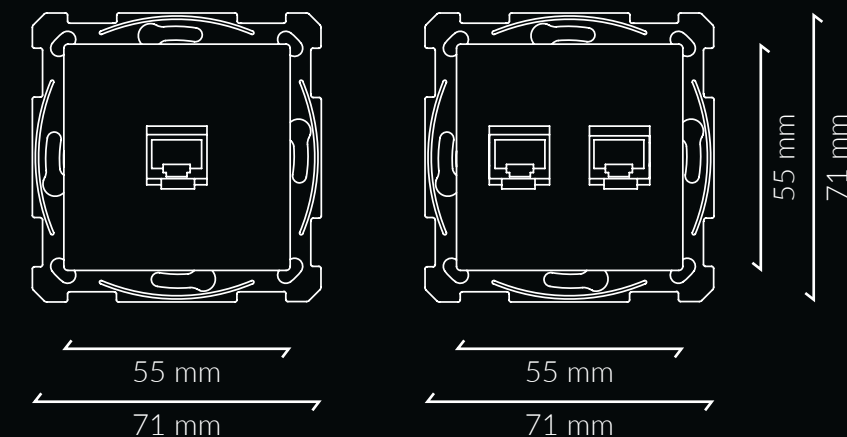


References and specifications

Simple and double RJ45 outlet

RJ45 connector – 1 insert (without keystone and cover 8300012xx)	8300009
RJ45 connector – 2 inserts (without keystone and cover 8300013xx)	8300037
RJ45 Cat. 5e connector - keystone	8300046
RJ45 Cat. 6A connector - keystone	8300047
Cover plate for RJ45 connector 55x55 mm - 1 insert - Anthracite	830001205
Cover plate for RJ45 connector 55x55 mm - 1 insert - Silver	830001206
Cover plate for RJ45 connector 55x55 mm - 1 insert - White	830001207
Cover plate for RJ45 connector 55x55 mm - 1 insert - Gloss White	830001208
Cover plate for RJ45 connector 55x55 mm - 2 inserts - Anthracite	830001305
Cover plate for RJ45 connector 55x55 mm - 2 inserts - Silver	830001306
Cover plate for RJ45 connector 55x55 mm - 2 inserts - White	830001307
Cover plate for RJ45 connector 55x55 mm - 2 inserts - Gloss White	830001308

	RJ45 Simple	RJ45 Doble
Colours: anthracite, silver, white and gloss white	✓	✓
Connection method	Crimped	Crimped
Fixing mechanism	With screws. Optional claws	With screws. Optional claws
Internal connection fixing	Keystone	Keystone
Norms	EN55022, EN55024, IEC61000-4-5	EN55022, EN55024, IEC61000-4-5



References and specifications

	TV-R/AERIAL
TV-R - Intermediate insert (without cover 8300015xx)	8300014
TV-R - End-of-line insert (without cover 8300015xx)	8300040
TV-R/SAT - End-of-line insert (without cover 8300015xx)	8300048
Cover plate for TV/R insert 55x55 mm - Anthracite	830001505
Cover plate for TV/R insert 55x55 mm - Silver	830001506
Cover plate for TV/R insert 55x55 mm - White	830001507
Cover plate for TV/R insert 55x55 mm - Gloss White	830001508

TV-R

Colours: anthracite, silver, white and gloss white

Diameter

12.5 mm

Frequency range

5-2400 MHz

Connection method

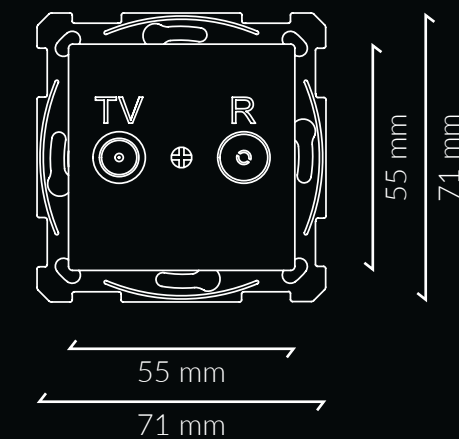
Screw

Fixing mechanism

With screws or clamps (included)

Norms

EN60728-11, EN50083-2 + A1, EN50581



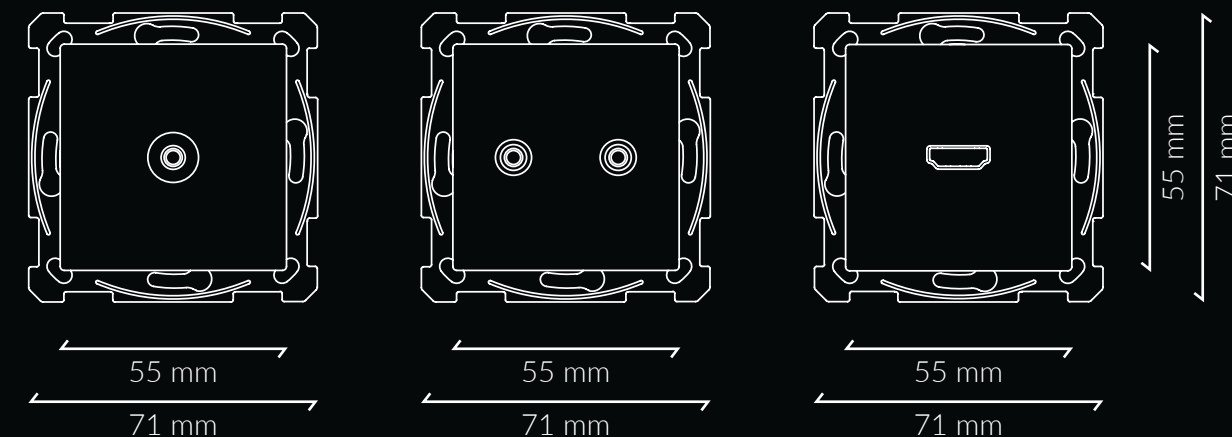
References and specifications

	Jack 3.5 mm
HDMI or Jack 3.5 mm insert support (without keystone and cover 8300025xx/8300027xx)	8300024
Jack 3.5 mm audio keystone	8300050
Cover for jack 3.5 mm insert 55x55 mm - Anthacite	830002705
Cover for jack 3.5 mm insert 55x55 mm - Silver	830002706
Cover for jack 3.5 mm insert 55x55 mm - White	830002707
Cover for jack 3.5 mm insert 55x55 mm - Gloss White	830002708

	RCA
RCA audio insert (without keystones and cover 8300023xx)	8300022
RCA audio keystones	8300051
Cover for RCA insert 55x55 mm - Anthracite	830002305
Cover for RCA insert 55x55 mm - Silver	830002306
Cover for RCA insert 55x55 mm - White	830002307
Cover for RCA insert 55x55 mm - Gloss White	830002308

	HDMI
HDMI or Jack 3.5 mm insert support (without keystone and cover 8300025xx/8300027xx)	8300024
HDMI keystone	8300049
Cover for HDMI insert 55x55 mm - Anthracite	830002505
Cover for HDMI insert 55x55 mm - Silver	830002506
Cover for HDMI insert 55x55 mm - White	830002507
Cover for HDMI insert 55x55 mm - Gloss White	830002508

	Jack 3.5 mm	RCA	HDMI
Colours: anthracite, silver, white and gloss white	✓	✓	✓
Connector type	Female	Female	Female (I/O)
Connection method	Screw	Screw	HDMI
Fixing mechanism	With screws. Optional claws	With screws. Optional claws	With screws. Optional claws
Internal connection fixing	Keystone	Keystone	Keystone
Norms	CE	CE	EN55022, EN55024 and IEC61000-4-5



References and specifications

Cable outlet

Cable outlet insert (without cover 8300021xx)	8300020
Cable outlet cover 55x55 mm - Anthracite	830002105
Cable outlet cover 55x55 mm - Silver	830002106
Cable outlet cover 55x55 mm - White	830002107
Cable outlet cover 55x55 mm - Gloss White	830002108

Blind cover

Metallic plate for ZS55 family	8300035
Blind cover 55x55 mm - Anthracite. Metallic plate (8300035) is needed but not included	830002805
Blind cover 55x55 mm - Silver. Metallic plate (8300035) is needed but not included	830002806
Blind cover 55x55 mm - White. Metallic plate (8300035) is needed but not included	830002807
Blind cover 55x55 mm - Gloss White. Metallic plate (8300035) is needed but not included	830002808

Colours: anthracite, silver, white and gloss white

Fixing mechanism

Cable outlet

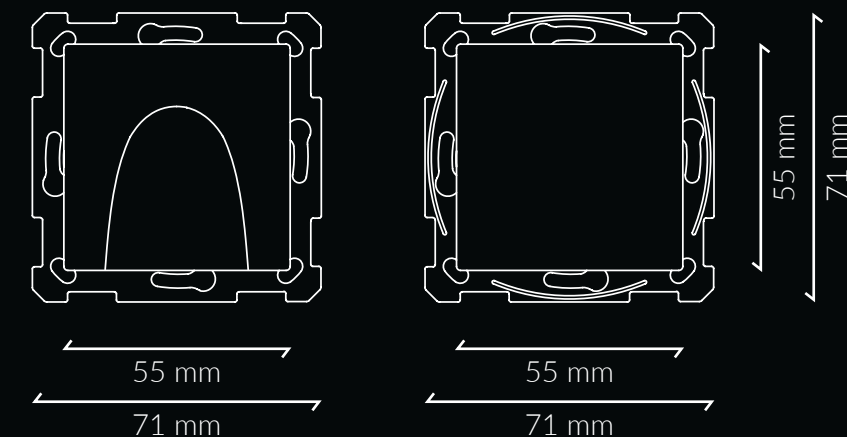
Blind cover



With screws. Optional claws



With screws. Optional claws



References and specifications

1-gang

1-gang Frame - Anthracite	980000105
1-gang Frame - Silver	980000106
1-gang Frame - White	980000107
1-gang Frame - Gloss White	980000108

2-gang

2-gang Frame - Anthracite	980000205
2-gang Frame - Silver	980000206
2-gang Frame - White	980000207
2-gang Frame - Gloss White	980000208

3-gang

3-gang Frame - Anthracite	980000305
3-gang Frame - Silver	980000306
3-gang Frame - White	980000307
3-gang Frame - Gloss White	980000308

4-gang

4-gang Frame - Anthracite	980000405
4-gang Frame - Silver	980000406
4-gang Frame - White	980000407
4-gang Frame - Gloss White	980000408

Frames

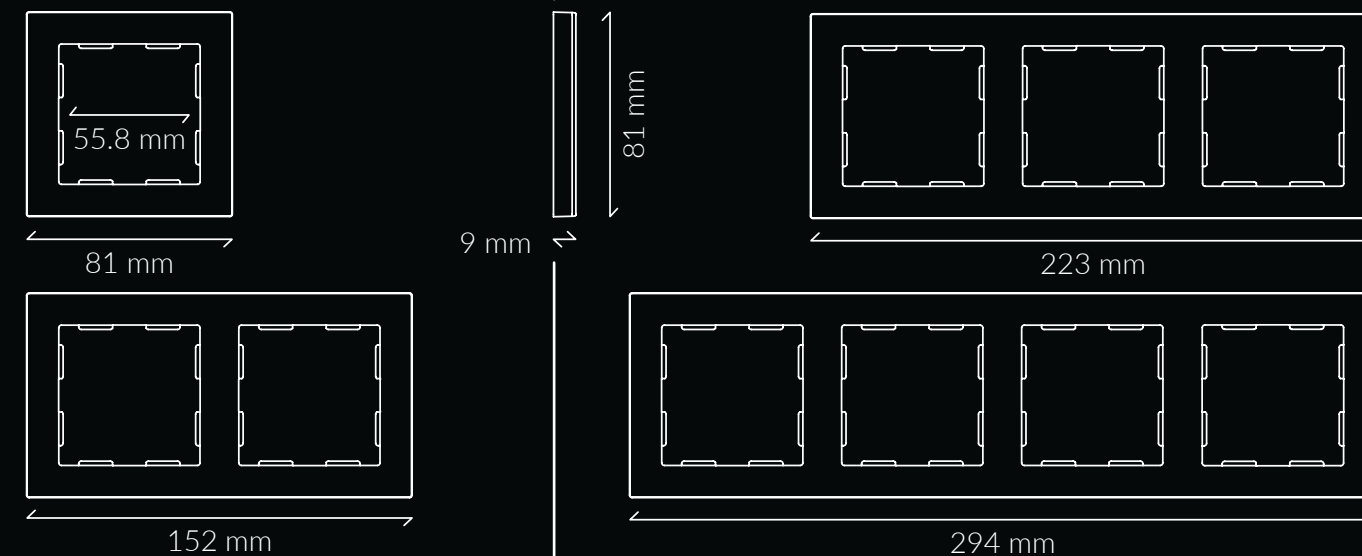
Colours: anthracite, silver, white and gloss white



Flush finish with ZS55 series switches and accessories



Portrait and vertical installation





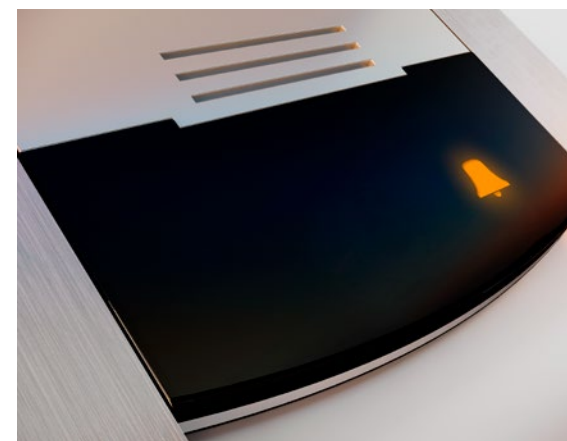
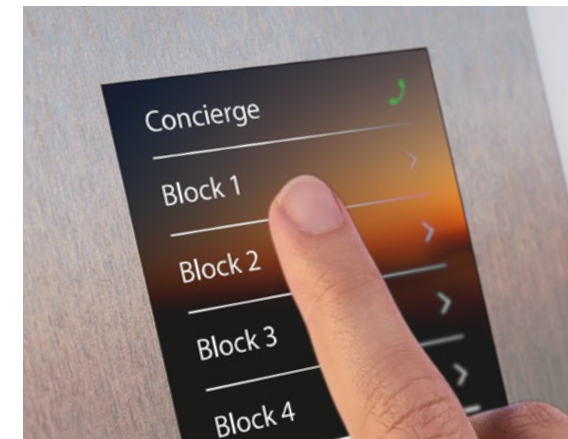
Video Intercom

GetFace IP

The video intercom solution is ideal for any type of building, from single to multi-dwelling, student residences, hotels and office buildings. Adapt it to the building requirements thanks to its modular structure. Fully integrated into the smart home touch panels.

Fully secured access

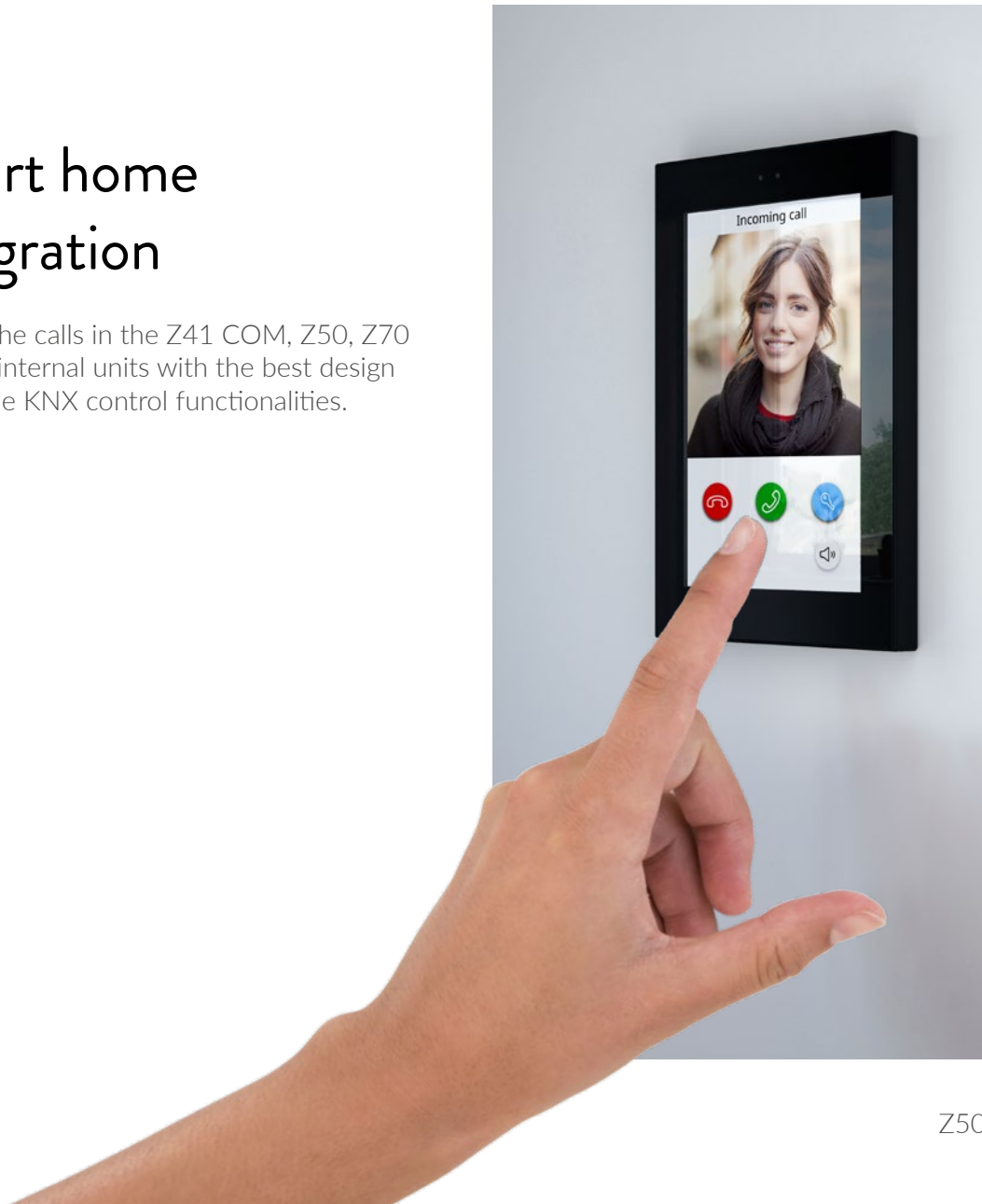
Make sure who is calling before opening thanks to the outdoor station with HR camera and IR light for night vision. Pick the required modules according to the type of building and the access features: call buttons, keypad, touch panel, RFID card access or even Bluetooth® access.





Smart home integration

Pick-up the calls in the Z41 COM, Z50, Z70 or Z100 internal units with the best design and all the KNX control functionalities.



Z50



Z41 COM



Z70



Z100



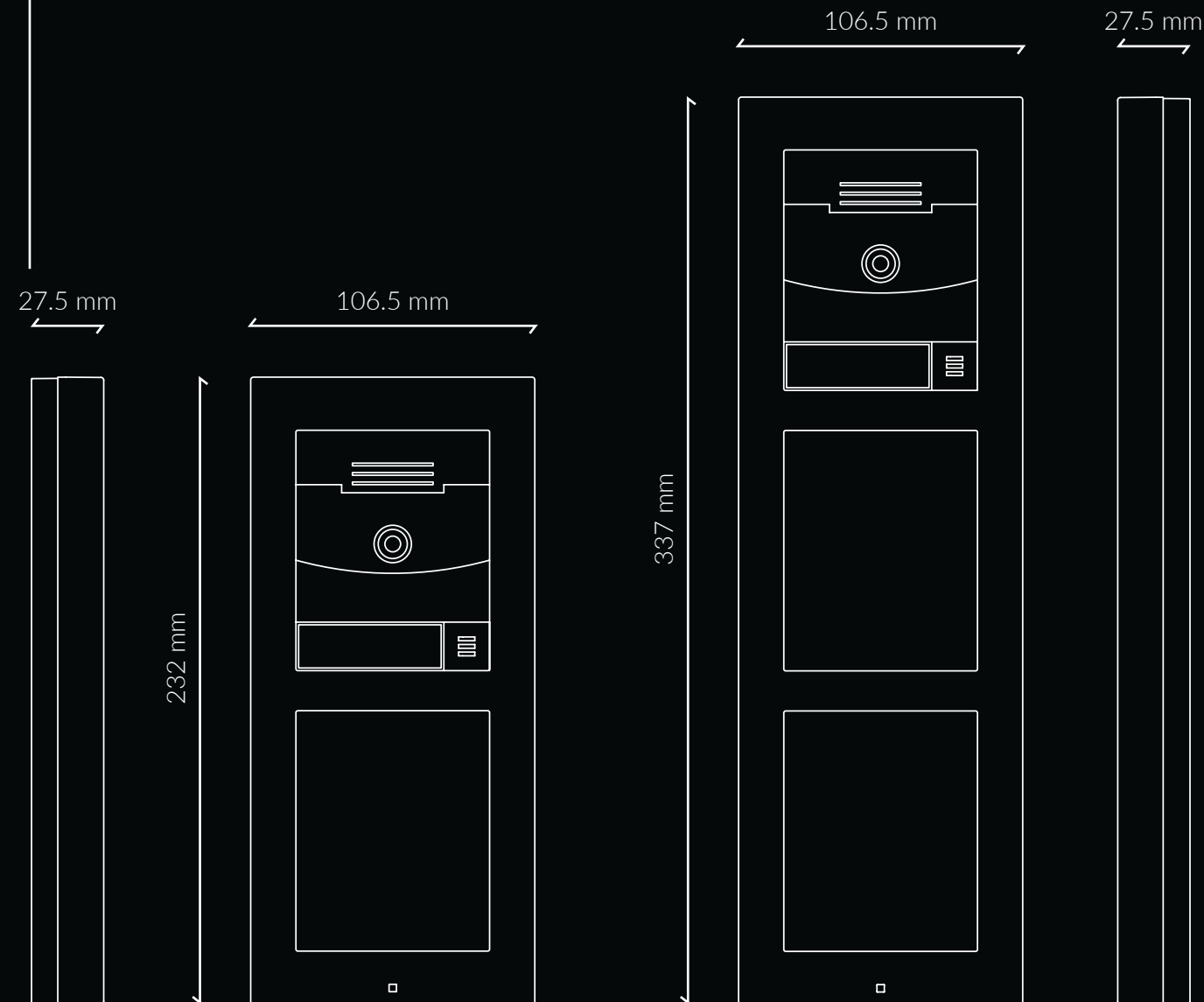
Answer the call wherever you are

With ZenCom app you can answer video intercom calls in your mobile device, any time, anywhere. You can see who is calling before answering and grant access to the people you trust.

References and specifications

	Surface installation
GetFace IP - Surface installation - Frame - 1 module - Nickel/Black	ZVP-CB1M / ZVPCB1MB
GetFace IP - Surface installation - Frame - 2 modules - Nickel/Black	ZVP-CB2M / ZVPCB2MB
GetFace IP - Surface installation - Frame - 3 modules - Nickel/Black	ZVP-CB3M / ZVPCB3MB
GetFace IP - Surface installation - Backplate - 1 module	ZVP-BPLA1
GetFace IP - Surface installation - Backplate - 2 modules	ZVP-BPLA2
GetFace IP - Surface installation - Backplate - 3 modules	ZVP-BPLA3
GetFace IP - Surface installation - Backplate - 2(w) x 2(h) modules	ZVP-BP2W2H
GetFace IP - Surface installation - Backplate - 2(w) x 3(h) modules	ZVP-BP2W3H
GetFace IP - Surface installation - Backplate - 3(w) x 3(h) modules	ZVP-BP3W3H

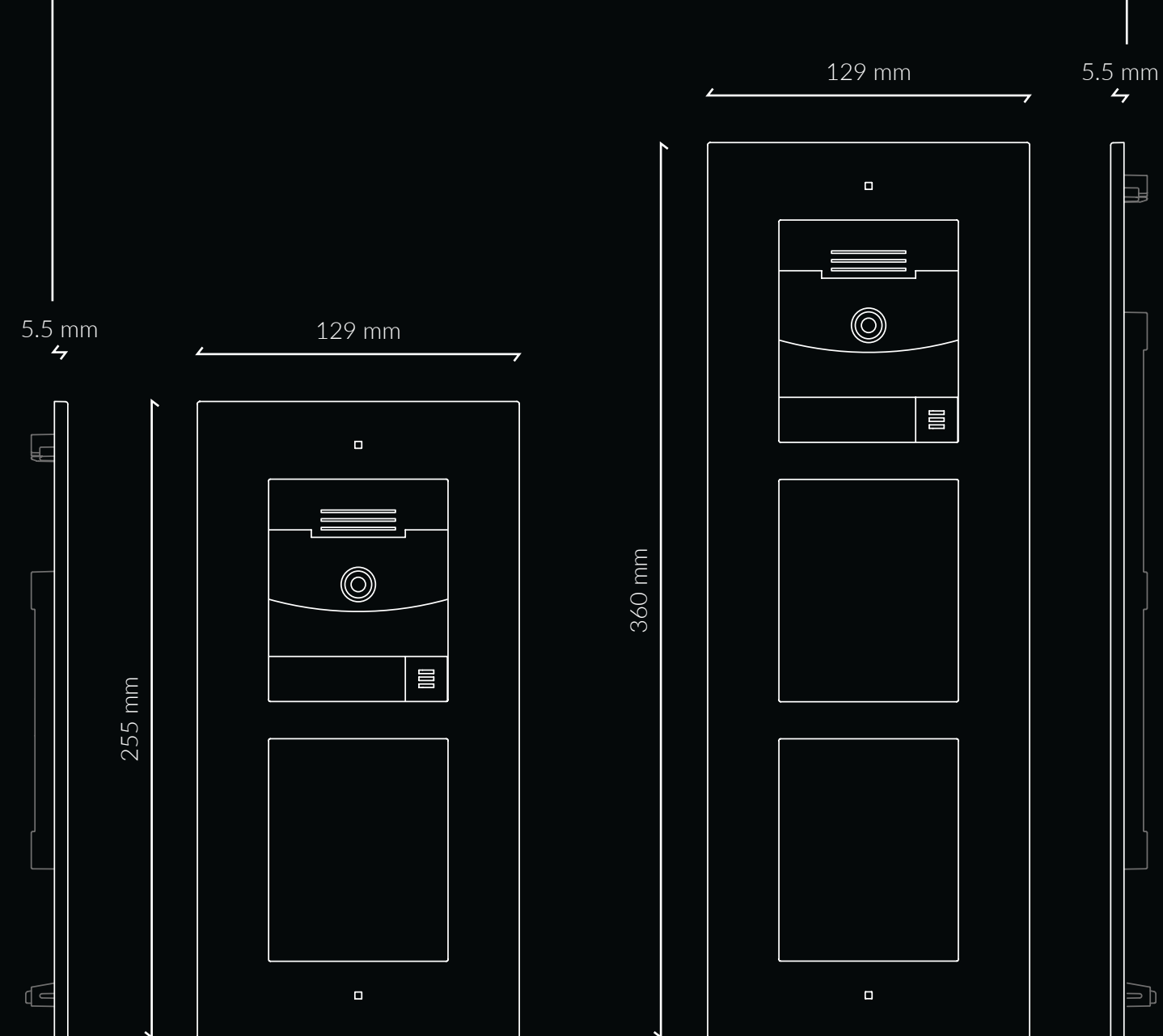
	ZVP-CAM	ZVP-WOCAM
HR 1280 x 960 px camera (angles 120°h, 90°V, 145°D)	✓	-
Night vision with IR light	✓	-
2W Speaker with LINEOUT (1VRMS) output	✓	✓
Microphone	✓	✓
Power supply: 12 VDC/2 A or PoE 48 VDC/0.32 A	✓	✓
Connection of additional modules	✓	✓
Configurable input (-30...30 VDC)	✓	✓
Active output (8-12 VDC/400 mA)	✓	✓
Relay output (30 V/1 A AC/DC)	✓	✓
Protection degree: IP54	✓	✓



References and specifications

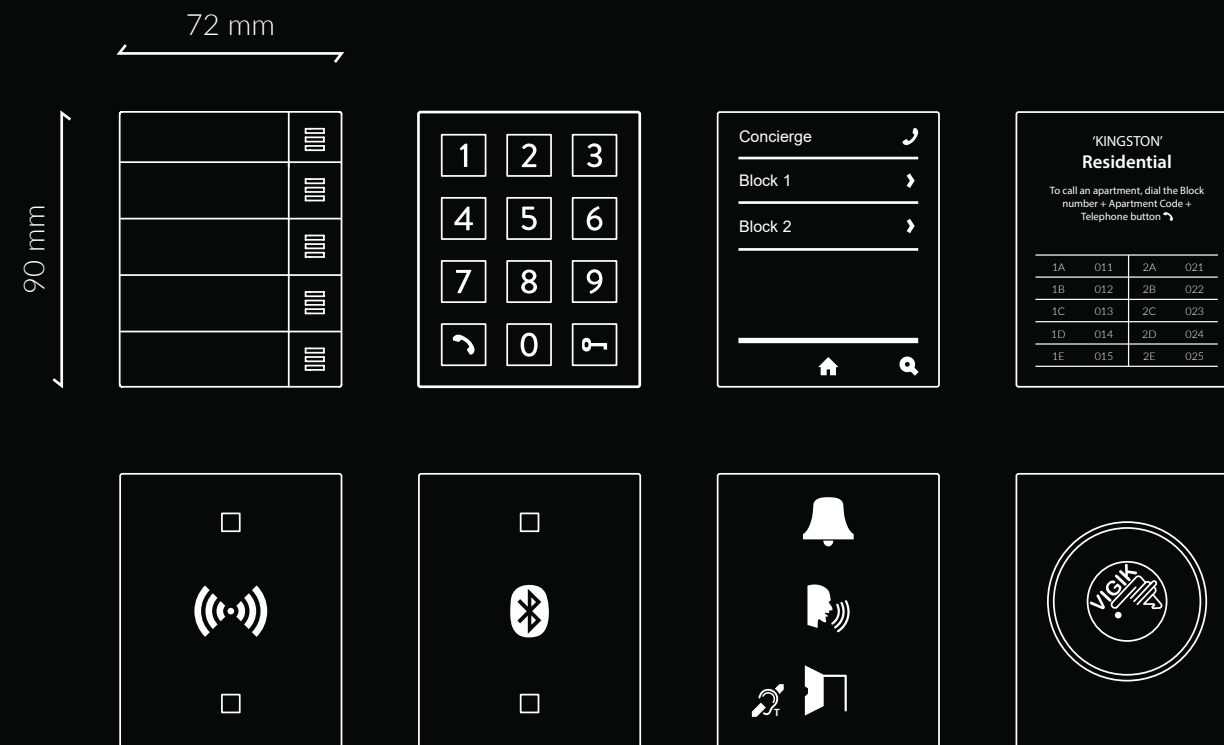
	Flush installation
GetFace IP - Flush installation - Frame - 1 module - Nickel/Black	ZVP-FFRA1 / ZVPPFRA1B
GetFace IP - Flush installation - Frame - 2 modules - Nickel/Black	ZVP-FFRA2 / ZVPPFRA2B
GetFace IP - Flush installation - Frame - 3 modules - Nickel/Black	ZVP-FFRA3 / ZVPPFRA3B
GetFace IP - Flush installation - Box - 1 module	ZVP-FBOX1
GetFace IP - Flush installation - Box - 2 modules	ZVP-FBOX2
GetFace IP - Flush installation - Box - 3 modules	ZVP-FBOX3

	ZVP-CAM	ZVP-WOCAM
HR 1280 x 960 px camera (angles 120°h, 90°V, 145°D)	✓	-
Night vision with IR light	✓	-
2W Speaker with LINEOUT (1VRMS) output	✓	✓
Microphone	✓	✓
Power supply: 12 VDC/2 A or PoE 48 VDC/0.32 A	✓	✓
Connection of additional modules	✓	✓
Configurable input (-30...30 VDC)	✓	✓
Active output (8-12 VDC/400 mA)	✓	✓
Relay output (30 V/1 A AC/DC)	✓	✓
Protection degree: IP54	✓	✓



References and specifications

	Modules / accessories
GetFace IP – 5-button module	ZVP-NAME5
GetFace IP – Keypad module	ZVP-KEYPAD
GetFace IP – Keypad module - Black	ZVPKEYPADB
GetFace IP – Touch display	ZVP-TOUCHD
GetFace IP – Info panel	ZVP-INFOP
GetFace IP – RFID card reader (cards not included)	ZVP-RFSMN
GetFace IP – Bluetooth® module	ZVP-BLUET
GetFace IP – Induction loop module	ZVP-ILOOP
GetFace IP – Vigik module	ZVP-VIGM
GetFace IP - I/O module	ZVP-INOUT
GetFace IP - Tamper switch	ZVP-ACTAM
GetFace IP – Security relay	ZVP-ACSR
GetFace IP – Blind panel	ZVP-ACBLP
GetFace IP – Blind button	ZVP-ACBLB





IDAC



IWAC Display



IWAC Out

Access control

Z-Access

IDAC - IWAC Display - IWAC Out

We had a wish list...
and we made it happen!

- Appealing door readers, customizable if possible
- Access control that works offline: in case there is no network or comms are down
- We want to know if guests are in the room without having to knock on the door
- We need to know if the guest has selected "Do not disturb" or "make up room" from outside the room
- Integrated doorbell

Anything else? All you have to do is ask!

IDAC

The aesthetics of our door-mounted access control - In Door Access Control - is one of the keys of its success: 9 mm of pure elegance.

It is also the perfect ally for your housekeeping staff, as it can show whether the guest is in the room or not without knocking, as well as the "do not disturb" or "make up room" status.



IWAC Display

Free the door from the weight of any access control hardware thanks to IWAC Display, a device that can also display the room number and the "do not disturb" or "make up room" status selected by the guest.



IWAC Display installed in the luxurious Boutique Boho Club hotel (Marbella - Spain).

Customization is the key

In any interior design project all the elements in a room must maintain aesthetics, colours and shapes cohesion... IWAC Display is the only access control option thanks to its tempered glass printed customization.



IWAC Out

A waterproof version of IWAC.

This outdoor version is not only weather and impact resistant, but it is also KNX Secure for a secure communication via the KNX bus.



Z-Access

Everything under control thanks to Z-Access, our card writing and Bluetooth® key generating software. Z-Access allows room access reports for guests and staff, know who has written new cards or cancel existing keys so they are no longer valid.

Z-Access communicates with all door readers, IDAC and IWAC, and, magic! It can work offline.





Online check-in?
Bluetooth® access?

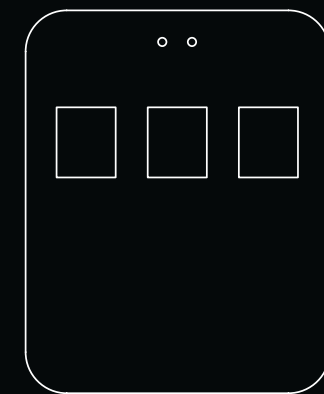
Yes, thanks to Zennio Key

Getting to a hotel and avoiding queues at reception just to pick up your keys is everybody's dream. We make it possible thanks to Bluetooth® opening, which allows guests to receive their room keys in their phones before they get to the hotel.



References and specifications

	IDAC	IWAC Display	IWAC Out
Backlit icons	✓	✓	-
2.4" OLED display	-	✓	-
Installation in European or British standard mounting box	-	✓	-
Available colours	Anthracite, silver and white	Anthracite, silver and white	Anthracite and white
Customizable	-	✓	-
Number of buttons	3	3	1
2 analogue-digital inputs	-	✓	-



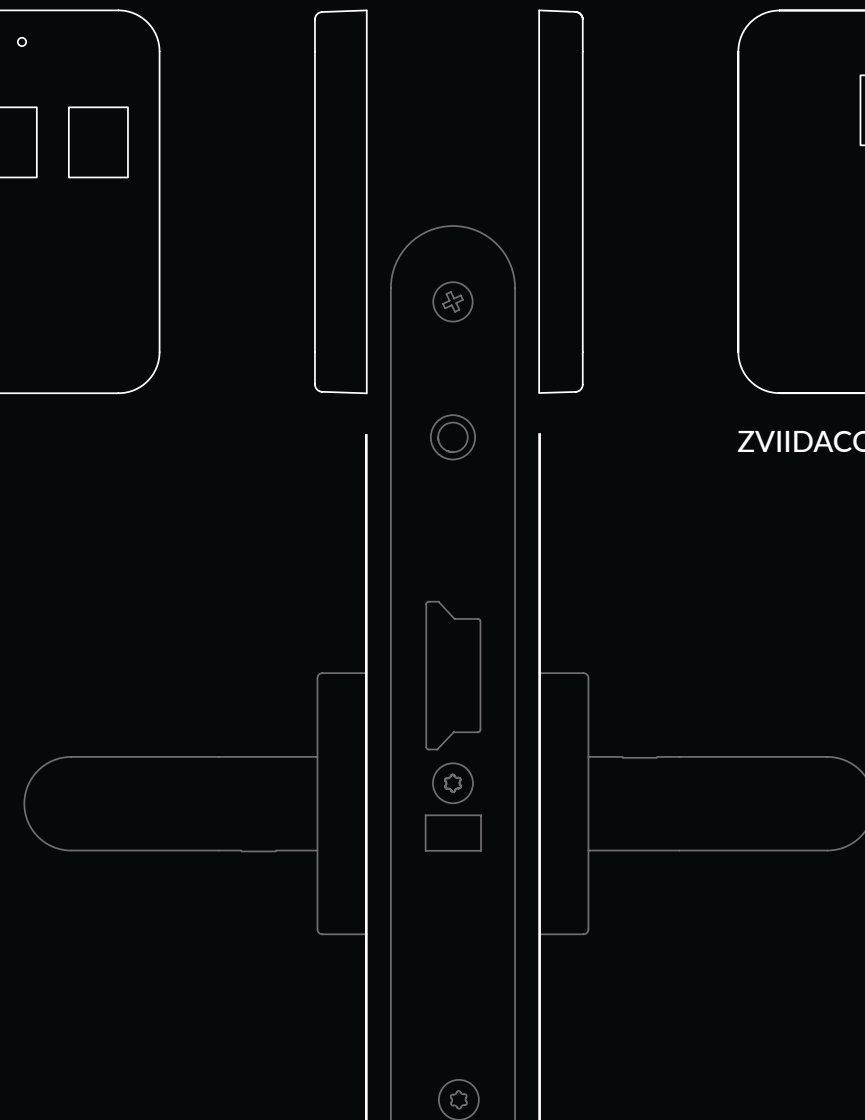
ZVIIDACIN

10.5 mm

9 mm

62 mm

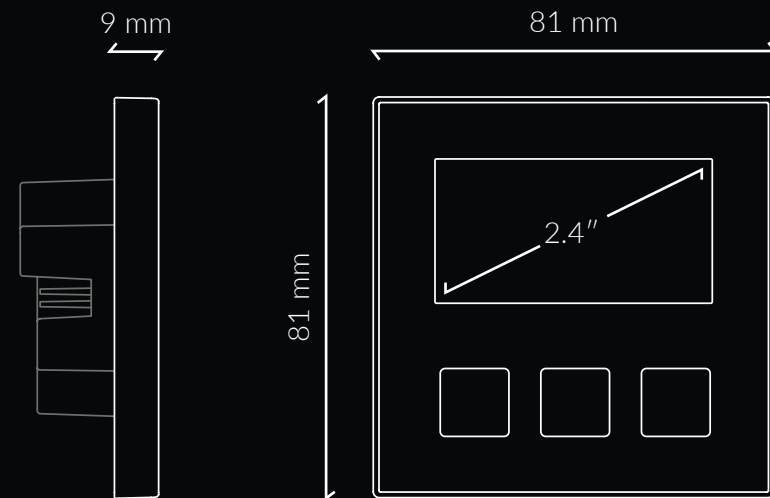
78 mm



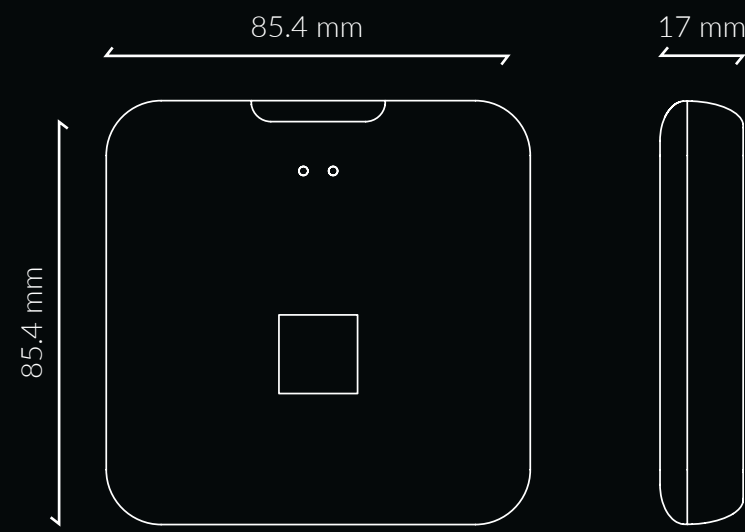
ZVIIDACOUT

References and specifications

	IDAC	IWAC Display	IWAC Out
Backlit icons	✓	✓	-
2.4" OLED display	-	✓	-
Installation in European or British standard mounting box	-	✓	-
Available colours	Anthracite, silver and white	Anthracite, silver and white	Anthracite and white
Customizable	-	✓	-
Number of buttons	3	3	1
2 analogue-digital inputs	-	✓	-



ZVIIWACDV3



ZVIIWO

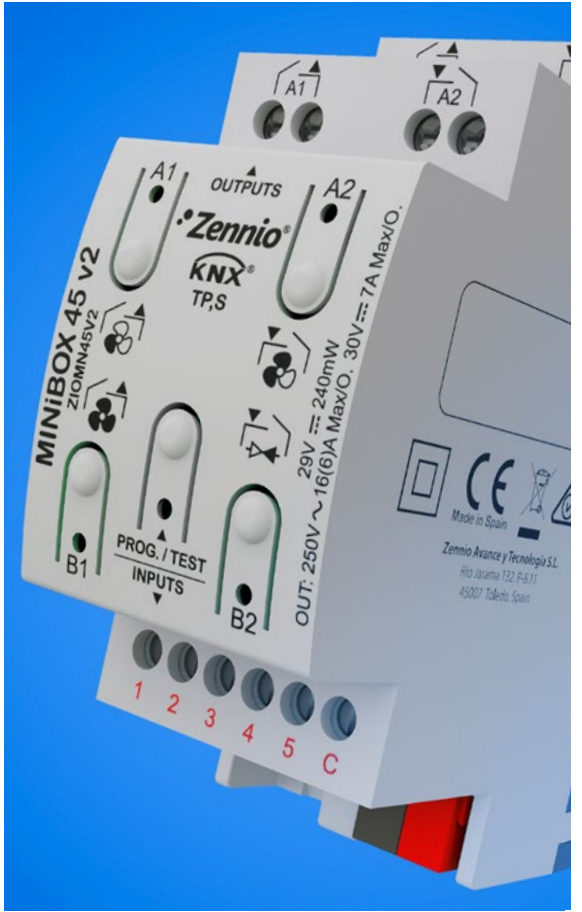


Actuators

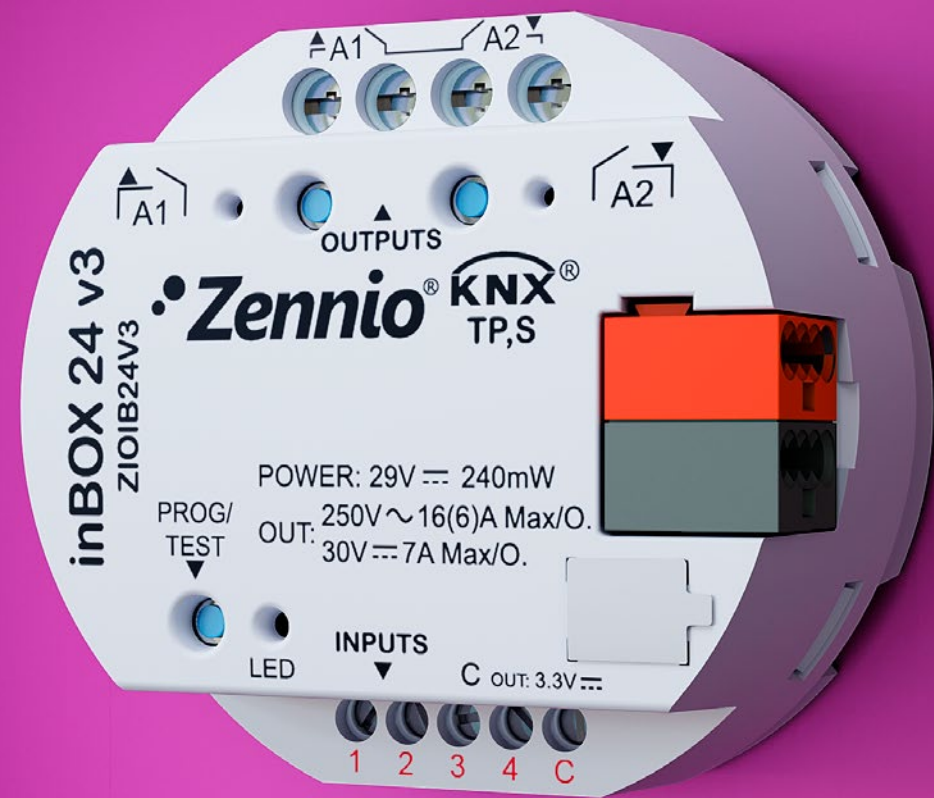
Where the magic is done

A complete range of the most powerful actuators in the market. In the following pages, you will discover the non-visible part of KNX installations.

Actuators for HVAC, lighting, shutter control, multifunctional, all-in-one solutions, multimedia, energy monitoring...







Multifunction actuators

KNX multifunction actuators with outputs to be configured as shutter channel, individual output, or even fan coil actuator.

Models with analogue-digital inputs allow to configure them as multifunction binary inputs, for sensors or potential-free push buttons, as inputs for temperature probes or as inputs for motion sensors. A logical function module is included.

Product	Reference	Outputs	Inputs	Mounting
inBOX 20 v3	ZIOIB20V3	2 (16 A C-Load)	-	Flush
inBOX 24 v3	ZIOIB24V3	2 (16 A C-Load)	4	Flush
MINiBOX 20 v2	ZIOMN20V2	2 (16 A C-Load)	-	2 DIN
MINiBOX 25 v2	ZIOMN25V2	2 (16 A C-Load)	5	2 DIN
MINiBOX 40 v2	ZIOMN40V2	4 (16 A C-Load)	-	2 DIN
MINiBOX 45 v2	ZIOMN45V2	4 (16 A C-Load)	5	2 DIN
MAXinBOX 8 v3	ZIOMB8V3	8 (16 A C-Load)	-	4.5 DIN
MAXinBOX 16 v3	ZIOMB16V3	16 (16 A C-Load)	-	8 DIN
MAXinBOX 24 v2	ZIOMB24V2	24 (16 A C-Load)	-	12 DIN
MAXinBOX 66 v2	ZIOMB66V2	6 (16 A C-Load)	6	4.5 DIN

Shutter actuators

KNX shutter actuators for Din-rail installation. The control is performed through the rise and fall times. They allow manual control of the outputs, and their status can be visualized through the LED indicators. A logical function module is included.

Product	Reference	Description	Mounting
MAXinBOX SHUTTER 4CH v2	ZIOMB4V2	4 shutter channels	4.5 DIN
MAXinBOX SHUTTER 8CH v2	ZIOMB8V2	8 shutter channels	8 DIN
Shutter Coupler 1CH	ZAC-SHUC1C	AC/DC shutter adaptor for 1 channel	2 DIN
Shutter Coupler 2CH	ZAC-SHUC2C	AC/DC shutter adaptor for 2 channels	2 DIN

All-in-one actuators

Multifunction devices under the all-in-one concept. They include in a single device: KNX power supply, KNX-IP interface, thermostats, logical modules, analogue-digital inputs which, depending on the model, can be configured as individual outputs, shutters and/or fan coil controller.

Product	Reference	Power supply	Outputs	Inputs	Mounting
ALLinBOX 1612 v2	ZPR1612V2	640 mA	16 (16 A C-Load)	12	12 DIN
ALLinBOX 88	ZPR88	320 mA	8 (16 A C-Load)	8	8 DIN
ALLinBOX 46	ZPR46	160 mA	4 (16 A C-Load)	6	4.5 DIN
ALLinBOX Hospitality	ZPRHP	160 mA	4 (fan coil) + 1 (16 A C-Load)	6	4.5 DIN

0-10 V inputs/outputs actuator

Multifunction actuators with 1/2/3 analogue inputs/outputs channels, configurable as 0-10 V outputs, 0-10 V inputs or 4-20 mA inputs. Each channel can be configured individually or jointly to control a 2/4 pipe fan coil in which either the fan, the valves or both are regulated by a 0-10V signal. A logical function module and thermostats are included.

Product	Reference	Description	Mounting
MINiBOX 0-10V X3	ZIO3X010	3 channels 0-10 V outputs/ 0-10V or 4-20 mA inputs	2 DIN
MINiBOX 0-10V X2	ZIO2X010	2 channels 0-10 V outputs/ 0-10V or 4-20 mA inputs	2 DIN
MINiBOX 0-10V X1	ZIO1X010	1 channels 0-10 V outputs/ 0-10V or 4-20 mA inputs	2 DIN

Dimmable lighting

Universal dimming actuators (RLC, LED, CFL). Auto load type detection (RLC). Configurable dimming curves for LED and CFL. An independent logical function module is included. Error detection: short circuit, power failure, voltage surge, overheating, anomalous frequency and parameterization error.

Product	Reference	Channels	Power (230 V)	Mounting
DIMinBOX DX4	ZDIDBDX4	4	300 W	8 DIN
NarrowDIM X4	ZDINDX4	4	210 W	4.5 DIN
DIMinBOX DX2	ZDI-DBDX2	2	310 W	4.5 DIN
NarrowDIM X2	ZDINDX2	2	210 W	2 DIN
DIMinBOX DX1	ZDIDBDX1	1	350 W	2 DIN
inBOX DIM	ZDI-IBD	1	250 W	Flush

LED lighting

LED dimmers (RGBW or single channels) oriented to DC LED technology with constant voltage or constant current regulation through PWM. The dimming channels can be configured as independent channels or 1 RGB(W) channel. They incorporate manual test buttons to check the channels functioning.

Product	Reference	Channels	Dimming	Mounting
Lumento C3	ZDI-RGBCC3	3	Constant current (220 mA - 1 A)	Flush
Lumento C4	ZDI-RGBCC4	4	Constant current (220 mA - 1 A)	Flush
Lumento X3	ZN1DI-RGBX3	3	Constant voltage (12/24 VDC)	Flush
Lumento X4	ZN1DI-RGBX4	4	Constant voltage (12/24 VDC)	Flush
Lumento DX4	ZDI-RGBDX4	4	Constant voltage (12-30 VDC)	4.5 DIN

DALI lighting

Interfaces for the control of DALI certified lighting through the KNX bus.

DALI broadcast interfaces allow a plug&play configuration without needing to configure anything on the DALI side, whereas DALI-BOX Interface allows to perform the ballasts assignment and creating up to 64 groups (48 single-ballast and 16 multi-ballast).

Product	Reference	Channels	Ballasts per channel	Mounting
DALIBOX Broadcast 4CH	ZDI-DLB4	4	20 (broadcast)	4.5 DIN
DALIBOX Broadcast 6CH	ZDI-DLB6	6	20 (broadcast)	4.5 DIN
DALI-BOX Interface v3	ZDIDLIV3	1	64 (up to 64 groups)	4.5 DIN

Climate - Heating

KNX actuators for the control of heating valves, such as radiators or underfloor heating.

CLIMATE WATER CIRCUITS				
Product	Reference	Channels	Control voltage	Mounting
HeatingBOX 230V 4X	ZCL-4HT230	4	230 VAC	2 DIN
HeatingBOX 230V 8X	ZCL-8HT230	8	230 VAC	4.5 DIN
HeatingBOX 24V 4X	ZCL-4HT24	4	24 VAC/VDC	2 DIN
HeatingBOX 24V 8X	ZCL-8HT24	8	24 VAC/VDC	4.5 DIN

Climate - Ventilation

Actuators for the control of ceiling fan units powered at 230 VAC.

CEILING FANS				
Product	Reference	Fanspeeds	Control voltage	Mounting
FANinBOX 110V 1CH	ZCLFB110C1	4	110 VAC	2 DIN
FANinBOX 230V 1CH	ZCLFB230C1	4	230 VAC	2 DIN

Climate - Zoning

Actuators for zoning ducted air-conditioning systems, which allow the control of motorized 12/24 VDC grilles. The device includes an advanced zoning logic, allowing to send orders to the interface that controls the air generation system according to the status of the zones.

ZONING DUCTED AIR CONDITIONING				
Product	Reference	Zones	Control voltage	Mounting
ZoningBOX 4	ZCL-ZB4	4	12/24 VDC	4.5 DIN
ZoningBOX 6	ZCL-ZB6	6	12/24 VDC	4.5 DIN

Climate - Fan coil

KNX actuators for the control of 2 and/or 4 pipe fan coil.

In our fan coil actuators range you can find conventional actuators to control on/off valves and fan through relays, as well as controllers with 0-10 V output either for the valve or for the fan.

FAN COIL WITH ON/OFF VALVES AND FAN CONTROLLED THROUGH RELAYS					
Product	Reference	Fan coil units	Type	Inputs	Mounting
MAXinBOX FANCOIL 2CH2P v2	ZCL2FC2PV2	2	2-pipe	-	4.5 DIN
MAXinBOX FANCOIL 4CH2P v2	ZCL4FC2PV2	4	2-pipe	-	8 DIN
MINiBOX 40 v2	ZIOMN40V2	1	2-pipe	-	2 DIN
MINiBOX 45 v2	ZIOMN45V2	1	2-pipe	-	2 DIN
MAXinBOX Hospitality v2	ZCLHP126V2	1	2/4 pipe	6	4.5 DIN
ALLinBOX 1612 v2	ZPR1612V2	1	2/4 pipe	12	12 DIN
ALLinBOX 88	ZPR88	1	2/4 pipe	8	8 DIN
ALLinBOX 46	ZPR46	1	2-pipe	6	4.5 DIN
ALLinBOX Hospitality	ZPRHP	1	2-pipe	6	4.5 DIN

FAN COIL WITH 3-POINT VALVE					
Product	Reference	Fan coil units	Type	Inputs	Mounting
MAXinBOX Hospitality v2	ZCLHP126V2	1	2/4 pipe	6	4.5 DIN
ALLinBOX 1612 v2	ZPR1612V2	1	2/4 pipe	12	12 DIN
ALLinBOX 88	ZPR88	1	2/4 pipe	8	8 DIN

FAN COIL WITH 0-10 VDC CONTROL					
Product	Reference	Fan coil units	Type	Control 0-10 V	Mounting
MAXinBOX FC 0-10V FAN	ZCL-FC010F	2	2/4 pipe	Fan	4.5 DIN
MAXinBOX FC 0-10V VALVE	ZCL-FC010V	1	2/4 pipe	Valve	4.5 DIN
MINiBOX 0-10V X3	ZIO3X010	3	2/4 pipe	Both	2 DIN
MINiBOX 0-10V X2	ZIO2X010	2	2/4 pipe	Both	2 DIN
MINiBOX 0-10V X1	ZIO1X010	1	2/4 pipe	Both	2 DIN

Climate - Air conditioning

Bidirectional climate interfaces that allow the control of indoor units of the main climate manufacturers in the market from the KNX system.

BIDIRECTIONAL CONTROL OF AIR CONDITIONING UNITS				
Product	Reference	Control range	Inputs	Mounting
KLIC-DD v3	ZCLDDV3	Daikin - Domestic range	2	Flush
KLIC-DI V2	ZCLDIV2	Daikin - Industrial range	2	2 DIN
KLIC-MITT v2	ZCLMITTV2	Mitsubishi Electric	2	Flush
KLIC-LG1	ZCL-LG1	LG	3	Flush
KLIC-FJ	ZCL-FJ	Fujitsu, General, Hiyasu y Fuji Electric	3	Flush
KLIC-TS	ZCL-TS	Toshiba	3	Flush
KLIC-PA	ZCLPA	Panasonic	3	Flush
KLIC-SG	ZCLSG	Samsung (industrial & VRF)	2	2 DIN
UNIDIRECTIONAL CONTROL OF AIR CONDITIONING UNITS				
Product	Reference	Control range	Inputs	Mounting
IRSC	ZN1CL-IRSC	All brands	-	Flush

Universal interfaces

KNX universal interfaces with channels configurable as binary inputs and/or LED outputs. Binary inputs can be configured as sensors, switches or potential-free push buttons. Binary outputs can be used for low current LED control.

Product	Reference	Description	Mounting
BIN 2X	ZIO-BIN2X	2 binary inputs/LED outputs	Flush
BIN 4X	ZIO-BIN4X	4 binary inputs/LED outputs	Flush
BIN 44	ZIO-BIN44	4 binary inputs + 4 LED outputs LED	Flush

Multifunction inputs

Analogue-digital inputs modules, which can be configured as multifunction binary inputs, as inputs for temperature probes or as inputs for connecting motion sensors. Thermostats are included.

Product	Reference	Inputs	Thermostats	Mounting
QUAD Plus	ZIO-QUADP	4	4	Flush
RailQUAD 8	ZIO-RQUAD8	8	8	2 DIN

Climate - Aerothermal systems

Bidirectional communication interfaces for the integration of aerothermal units into the KNX installation.

BIDIRECTIONAL CONTROL OF AEROTHERMAL UNITS				
Product	Reference	Control range	Inputs	Mounting
KLIC-DA V2	ZCLDAV2	Daikin - Altherma and Altherma 3 LT	2	2 DIN
KLIC-MITTE	ZCLMITTE	Mitsubishi Electric - Ecodan	2	Flush

Sensors - Presence/motion sensors

Motion and presence sensors for wall or ceiling mounting.

It is possible to restrict the motion detection depending on the ambient luminosity, except for the RF motion sensors which, in return, count with the great advantage of no requiring wiring.

Product	Reference	Luminosity	Installation	Range (Ø)	BCU KNX
Presentia C v2	ZPDC30LV2	Yes	Ceiling	30 m	Yes
Presentia W0	ZPDW0	Yes	Wall	10 m	Yes
EyeZen TP v2	ZPDEZTPV2	Yes	Ceiling	6 m	Yes
EyeZen IN	ZPDEZIN	Yes	Ceiling	6 m	-
EyeZen RF 868	ZPDEZRF868	-	Ceiling	6 m	Yes (RF)
EyeZen RF 915	ZPDEZRF915	-	Ceiling	6 m	Yes (RF)

Sensors - Temperature and humidity sensors

Temperature sensors, indispensable accessory in a room for the correct climate regulation. Connected to analogue-digital inputs of our KNX devices, or use Flat Sensato, directly connected to the KNX bus, including humidity measurement.

Product	Reference	Description	BCU KNX
Flat Ambient	ZACFAT	Temperature sensor	-
SQ-Ambient	ZAC-SQAT	Temperature sensor	-
Flat Sensato v2	ZSFSENV2	Temperature and humidity sensor	Yes
NTC temperature probe	ZACNTC	NTC temperature probe	-
Temperature probe - mini NTC	9900015	10K NTC temperature sensor	-

Sensors - Door/window sensors

KNX-RF sensors for wireless installation in doors or windows, which notify the KNX bus when the door/window is open or closed.

Product	Reference	Description	BCU KNX
WinDoor RF	ZRFWD	KNX RF door/window sensor (868 MHz)	Yes (RF)
WinDoor RF 915	ZRFWD915	KNX RF door/window sensor (915 MHz)	Yes (RF)

Multimedia

IRSC Open allows the integration of audio/video equipment into the KNX installation, acting as an IR remote controller.

AudioInRoom is an audio system for playing music via bluetooth for up to two rooms, with auxiliary input.

Product	Reference	Description
AudioInRoom	ZMU-AUIR	KNX audio controller with Bluetooth and auxiliary input. 4 Outputs (10W)
IRSC OPEN	ZN1CL-IRSC	Infrared audio/video controller

Energy saving

Interfaces for monitoring the consumption in the installations. They can measure electrical consumption, gas or water consumption or energetic consumption.

Product	Reference	Description	Mounting
KCI	ZRX-KCI4S0	KNX interface for 4 consumption meters with S0 pulses	2 DIN
KES Plus	ZIO-KESP	KNX electrical energy meter	2 DIN
KEM	ZEMKEM	KNX energy monitor	4.5 DIN

KNX system elements

Indispensable elements for a correct functioning of the KNX installation: KNX universal power supplies (110/230 VAC) and auxiliary output, KNX-IP and KNX-USB secure interfaces for programming and monitoring, with extended frames for shorter downloads (APDU > 240 bytes), line couplers and KNX-RF media couplers.

Product	Reference	Description	Mounting
KUPSupply 160mA	ZPSU160	KNX universal power supply 160mA with 29VDC auxiliary output	2 DIN
KUPSupply 320mA	ZPSU320	KNX universal power supply 320mA with 29VDC auxiliary output	4.5 DIN
KUPSupply 640mA	ZPSU640	KNX universal power supply 640mA with 29VDC auxiliary output	4.5 DIN
Linecoupler CL	ZSYLCCL	KNX linecoupler	2 DIN
KNX USB SC	ZSYUSBSC	KNX-USB interface	2 DIN
KIPI SC	ZSYKIPISC	Zennio KNX-IP Interface. KNX Secure	2 DIN
IP Router CL	ZSYIPRCL	KNX-IP Router interface	2 DIN
ZMCoup RF 868	ZRFMC868	KNX TP-RF media coupler (868 MHz)	Flush
ZMCoup RF 915	ZRFMC915	KNX TP-RF media coupler (915 MHz)	Flush

Radiofrequency

Devices for the control through the KNX RF standard (868 / 915 MHz).

Product	Reference	Description	Frequency
ZMCoup RF 868	ZRFMC868	KNX TP-RF media coupler	868 MHz
ZMCoup RF 915	ZRFMC915	KNX TP-RF media coupler	915 MHz
WinDoor RF	ZRFWD	KNX RF door/window sensor	868 MHz
WinDoor RF 915	ZRFWD915	KNX RF door/window sensor	915 MHz
EyeZen RF 868	ZPDEZRF868	KNX RF motion sensor for ceiling mounting	868 MHz
EyeZen RF 915	ZPDEZRF915	KNX RF motion sensor for ceiling mounting	915 MHz

Find out more
about our actuators
in our website



All trademarks or right of any kind, registered names, logos or insignias, used or cited in this catalogue, are the sole property of their respective owners.

Product pictures may differ to the real product. Zennio reserves the right to change the pictures and product specifications in any moment without advanced notice.

www.zennio.com