

### FEATURES

- Motion detection through PIR technology
- Detection range of up to Ø 6 m
- Lighting level sensor with human eye spectral sensitivity
- 6 motion detector channels
- 2 constant light regulation channels
- Occupancy detection
- 10 logic functions
- Total data saving on KNX bus failure
- Integrated KNX BCU (TP1-256)
- External dimensions: Ø 58 x 41 mm
- Internal dimensions: Ø 48.3 x 41 mm
- Cutting diameter (hole saw blade): Ø 51 mm
- False-ceiling flush-mounted
- Conformity with the CE, UKCA, RCM directives (marks on the back side)

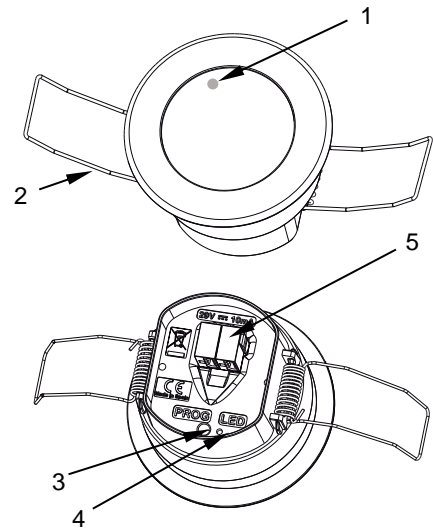


Figure 1: EyeZen TP

1. Detection LED indicator	2. Retaining spring	3. Programming button
4. Programming LED		5. KNX connector

Programming button: short press to set programming mode. If this button is held while plugging the device into the KNX bus, it enters the safe mode.

Programming LED: programming mode indicator (red). When the device enters the safe mode, it blinks (red) every half second. During the start-up (reset or after KNX bus failure) and if the device is not in safe mode, it emits a red flash.

### GENERAL SPECIFICATIONS

CONCEPT		DESCRIPTION		
Type of device		Electric operation control device		
KNX supply	Voltage (typical)	29 VDC SELV		
	Voltage range	21-31 VDC		
	Maximum consumption	Voltage	mA	mW
		29 VDC (typical)	4	116
24 VDC <sup>1</sup>	10	240		
Connection type		Typical TP1 bus connector for 0.8 mm Ø rigid cable		
External power supply		Not required		
Operation temperature		0 .. +45 °C <sup>2</sup>		
Storage temperature		-20 .. +55 °C		
Operation humidity		5 .. 95%		
Storage humidity		5 .. 95%		
Complementary characteristics		Class B		
Protection class		III		
Operation type		Continuous operation		
Device action type		Type 1		
Electrical stress period		Long		
Degree of protection		IP20, clean environment		
Installation		Flush-mounted in false ceiling		
Minimum clearances		Not required		
Response on KNX bus failure		Data saving according to parameterization		
Response on KNX bus restart		Data recovery according to parameterization		
Operation indicator		The programming LED indicates programming mode (red). The motion sensor initialization, after powering up the device, is indicated through the detection LED (red blinking). The motion detections are indicated by a red flash (in case the LED is enabled).		
Weight		39 g		
PCB CTI index		175 V		
Housing material		PC/ABS FR V0 halogen free housing and HDPE lens.		

<sup>1</sup> Maximum consumption in the worst-case scenario (KNX Fan-In model).

<sup>2</sup> Temperatures over 35 °C could decrease the detection range

## INSTALLATION INSTRUCTIONS

1. Make a  $\varnothing 51$  mm hole in the ceiling.
2. Recover the wiring and connect it to the device.
3. Insert the device into the ceiling hole and allow the retaining springs to close.
4. Fix it, paying attention that it is correctly leveled and oriented, and remove the protective plastic film from the lens.

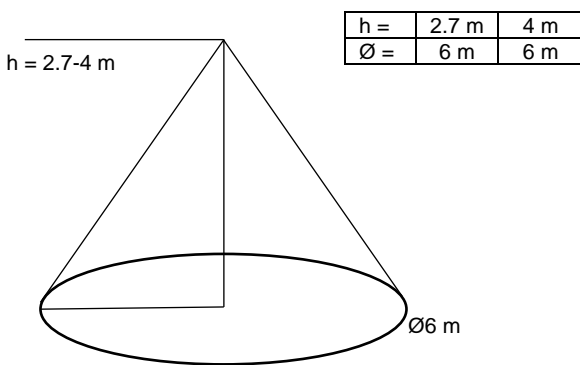
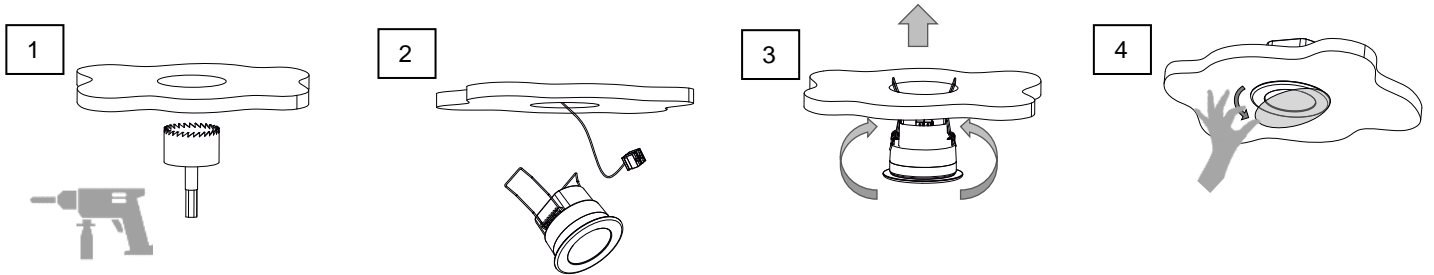


Figure 2: Motion detection range

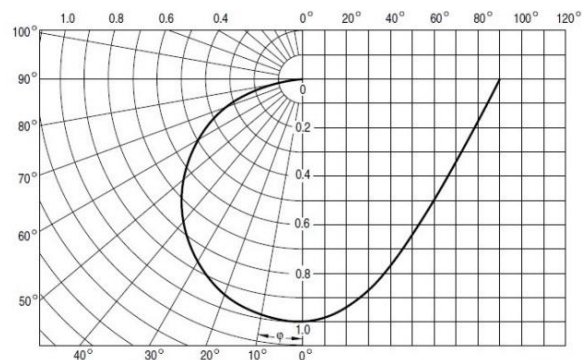
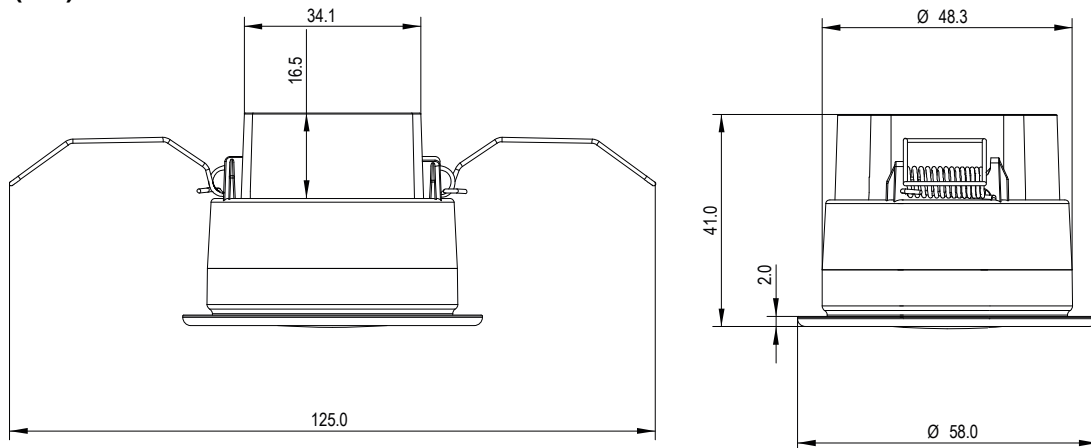


Figure 3: Lighting level sensor sensitivity according to light angle

## DIMENSIONS (mm)



## SAFETY INSTRUCTIONS AND ADDITIONAL NOTES

- Installation should only be performed by qualified professionals according to the laws and regulations applicable in each country.
- Do not connect the mains voltage nor any other external voltage to any point of the KNX bus; it would represent a risk for the entire KNX system. The facility must have enough insulation between the mains (or auxiliary) voltage and the KNX bus or the wires of other accessories, in case of being installed.
- Keep the device away from water (condensation over the device included) and do not cover it with clothes, paper or any other material while in use.
- The WEEE logo means that this device contains electronic parts and it must be properly disposed of by following the instructions at <https://www.zennio.com/en/legal/weee-regulation>.
- This device contains software subject to specific licences. For details, please refer to <http://zennio.com/licenses>.