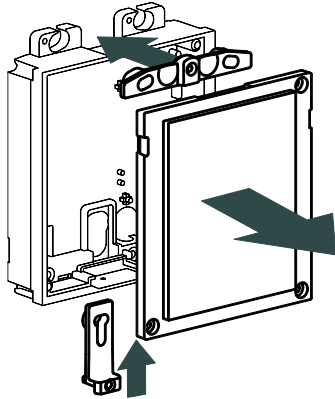


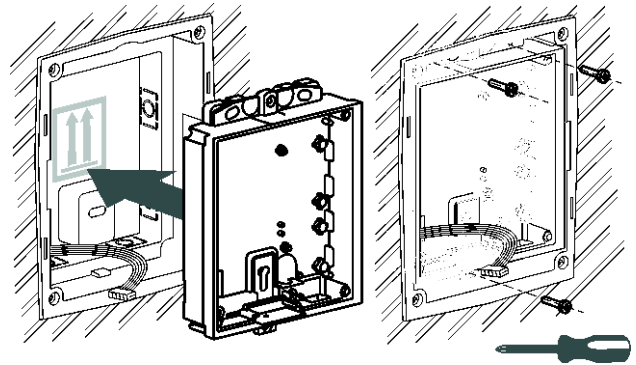
Note: This product must be purchased together with the frame ZVP-FBOX1

ASSEMBLY OF FRAME

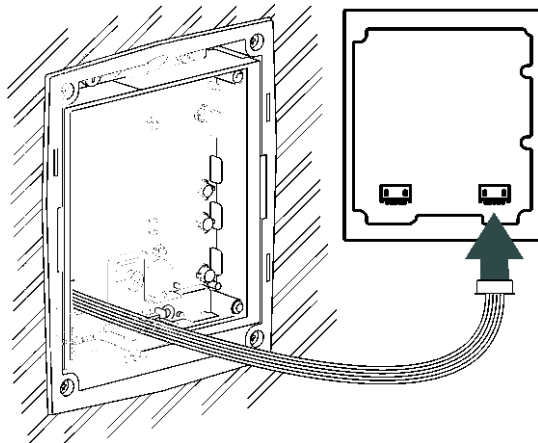
1 Please remove the additional module from the enclosure and place the metallic auxiliary parts supplied with the frame.



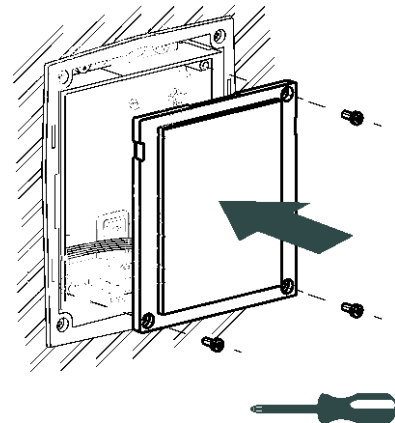
2 Place the enclosure inside the flush-mount box and recover the cables. Fix the module with the screws (included).



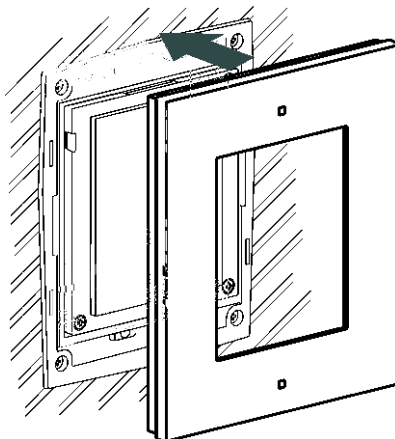
3 Connect the additional module to the bus.



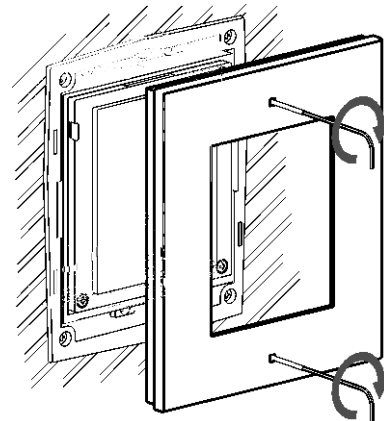
4 Fix the additional module with the supplied screws.



5 Place the frame.



6 Fix the frame by using the supplied Allen key.

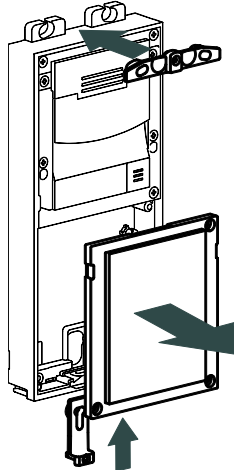


Dimensions: 151 x 129 x 5.5 mm

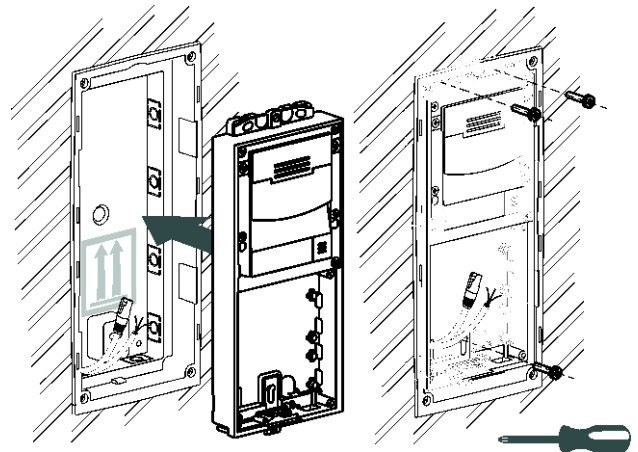
Note: This product must be purchased together with the frame ZVP-FBOX2

ASSEMBLY OF FRAME (ONE-COLUMN LAYOUT)

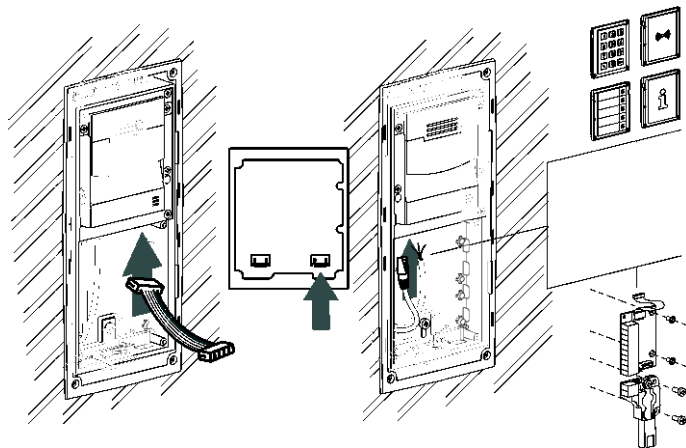
- 1** Please remove the basic unit blind panel and place the auxiliary parts supplied with the frame.



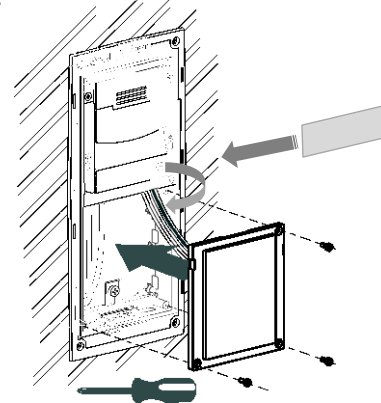
- 2** Place the basic unit inside the flush-mount box and recover the cables. Fix the enclosure with the screws (included).



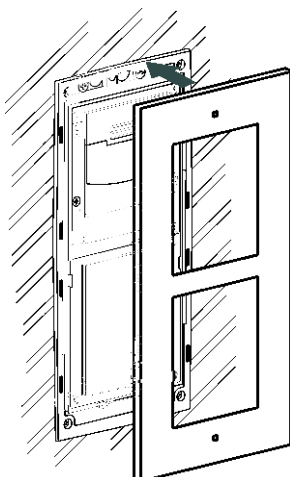
- 3** Connect the cables to the basic unit and interconnect the additional modules with the bus.



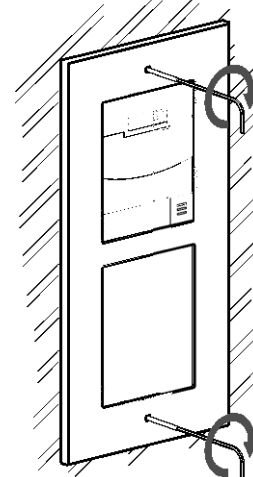
- 4** Fix the blind panel (or additional modules that remain in sight) with the supplied screws and put the labels with captions next to the buttons.



- 5** Place the frame.*



- 6** Fix the frame by using the supplied Allen key.

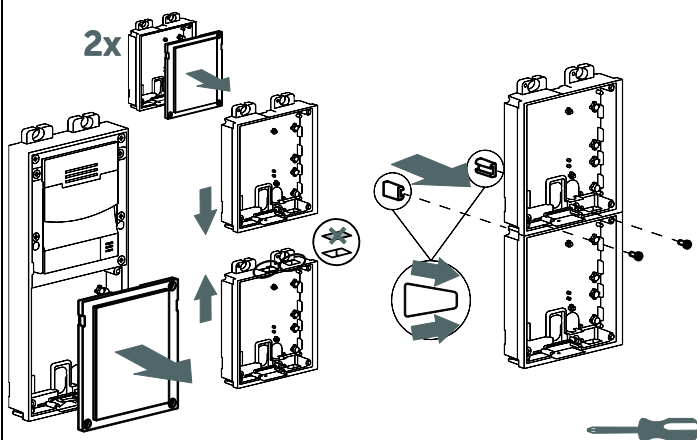


Dimensions: 255 x 129 x 5.5 mm

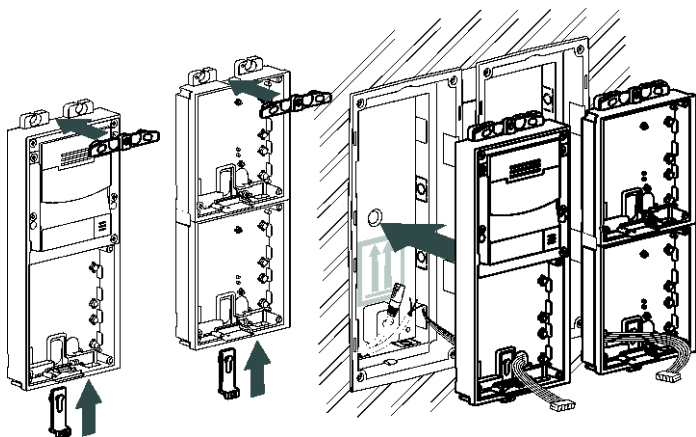
*In case of acoustic deficiencies, Zennio may supply a modified frame. In such case, though, it is essential that the microphone remains properly connected.

ASSEMBLY OF FRAME (MULTIPLE-COLUMN LAYOUT)

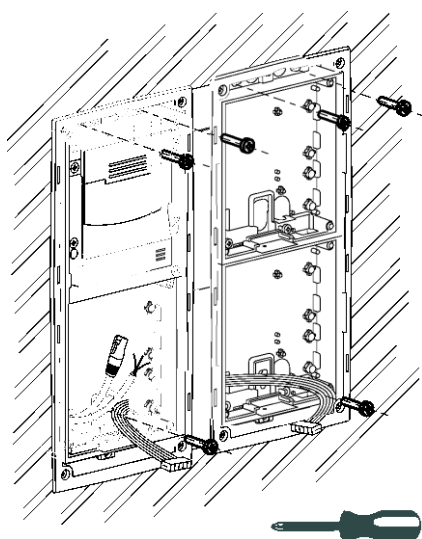
1 Please remove the blind panels and the additional modules from the enclosures. After that, assemble the additional module enclosures, opening the gaps previously. Then, fix the assembly using the supplied parts and screws (included).



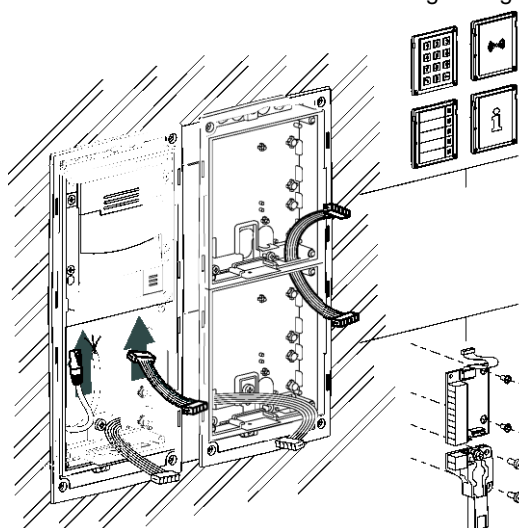
2 Place the metallic parts supplied with the frame. Put the assemblies inside the flush-mount box, pass previously the bus through the gaps and recover the cables.



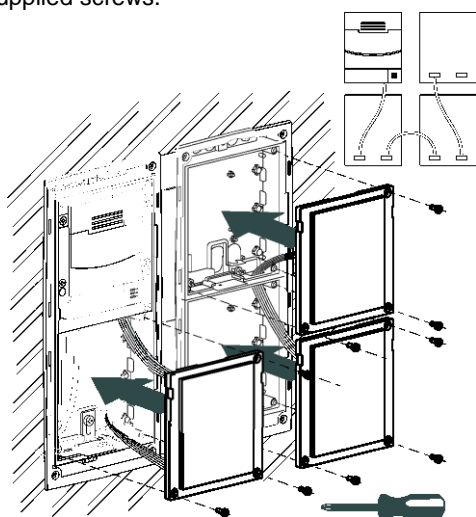
3 Fix the assemblies to the flush-mount boxes with screws.



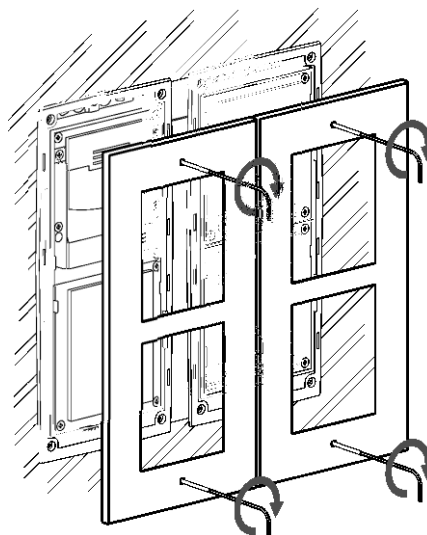
4 Make the connections of the basic unit and prepare the additional modules. Pass the bus cables through the gaps.



5 Interconnect the additional modules with the bus as indicated in the schema and then, fix the additional modules with the supplied screws.



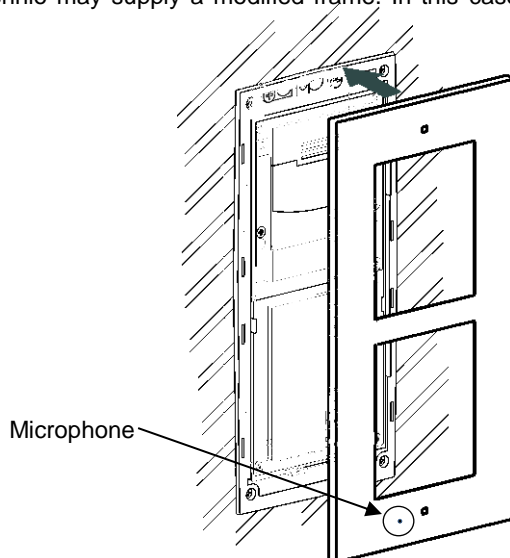
6 Place the frames and fix them by using the supplied Allen key.*



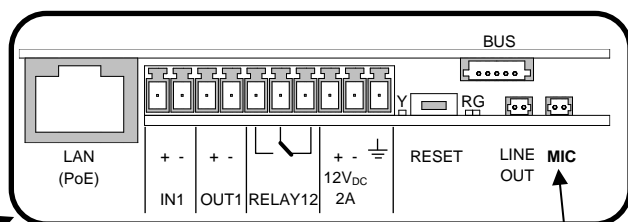
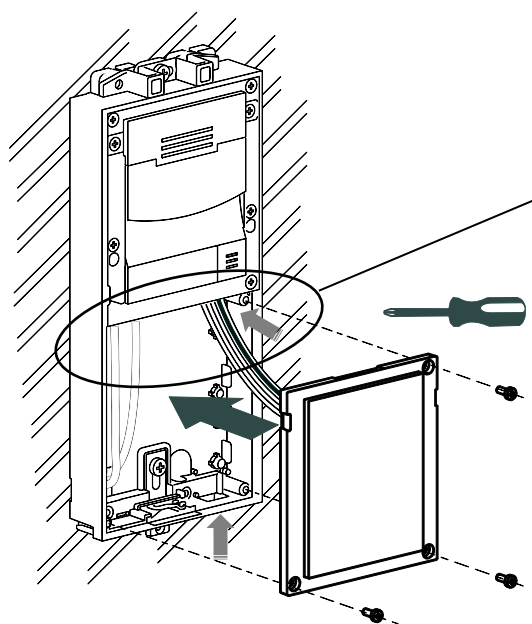
*In case of acoustic deficiencies, Zennio may supply a modified frame. In such case, though, it is essential that the microphone remains properly connected.

ASSEMBLY OF FRAME (MODIFIED FRAME)

1 In case of acoustic deficiencies, Zennio may supply a modified frame. In this case, the microphone will be attached to the frame.



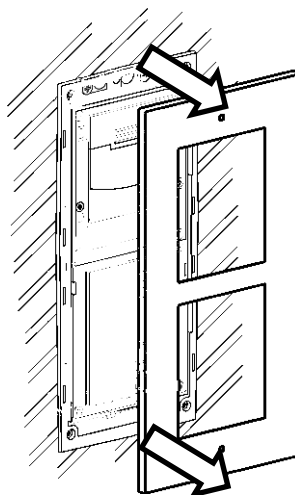
2 Introduce the cable of the microphone through the gap of the basic unit as shown in the image. After that, connect it to the "MIC" connection of the basic unit.



Note:

After the connection of the microphone and during the installation of any other modules of the assembly, please hold the modified frame firmly to avoid damage to the microphone due to its weight. It is highly advisable to perform this step with the help of another operator.

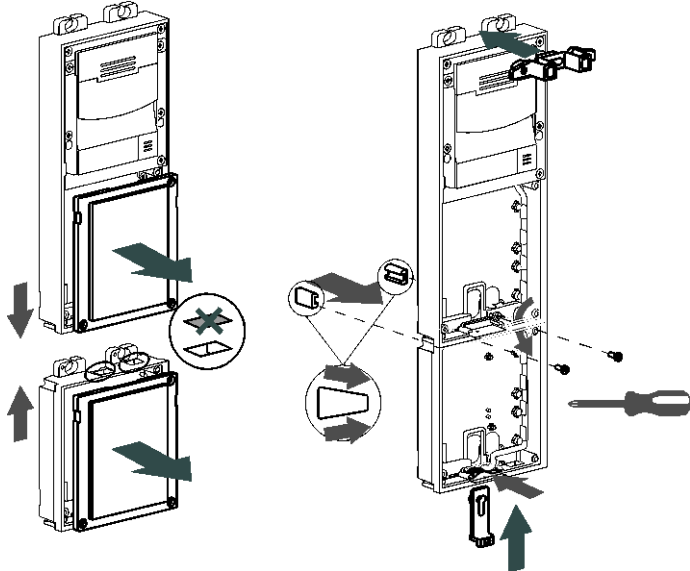
3 In case the modified frame needs to be removed, please be careful during this step as sudden actions may damage the microphone or its cable, as indicated above.



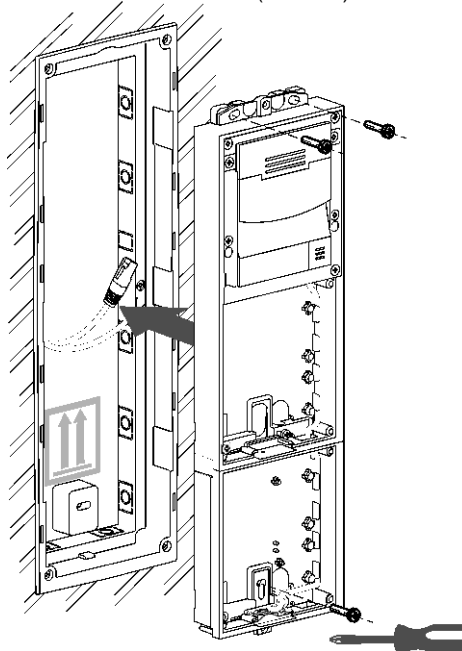
Note: This product must be purchased together with the frame ZVP-FBOX3

ASSEMBLY OF FRAME (ONE-COLUMN LAYOUT)

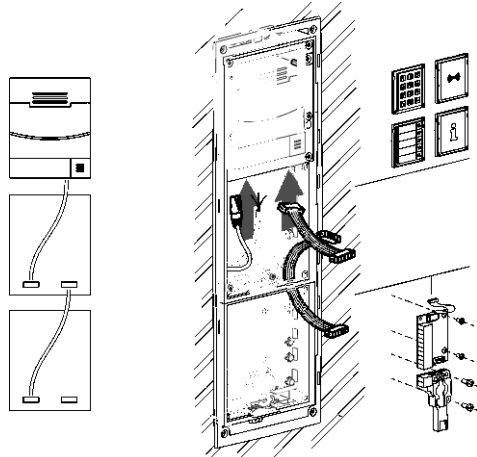
1 Please remove the blind panels and the additional modules. After that, assemble the additional module enclosures, opening the gaps previously. Then, fix the assembly using the supplied parts and screws. Move the microphone to the lower enclosure* and place the metallic parts supplied with the frame.



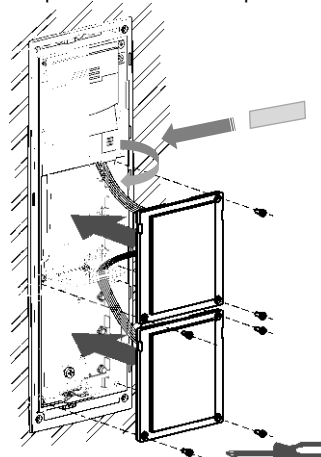
2 Place the assembly inside the flush-mount box and recover the cables. Fix the module with the screws (included).



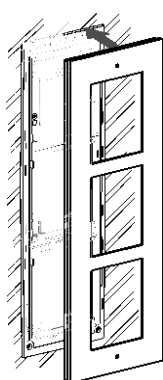
3 Connect the cables to the basic unit and interconnect the additional modules with the bus as shown in the schema.



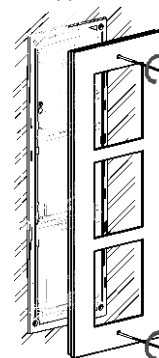
4 Fix the blind panel (or additional modules that remain in sight) with the supplied screws and put the labels with captions next to the buttons.



5 Place the frame.*



6 Fix the frame by using the supplied Allen key.

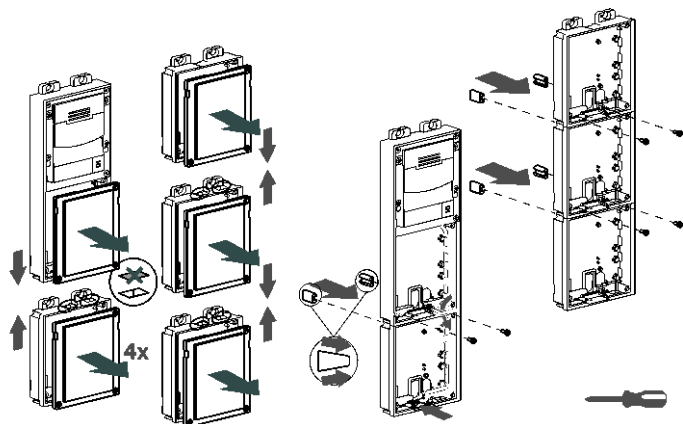


Dimensions:
360 x 129 x 5,5 mm

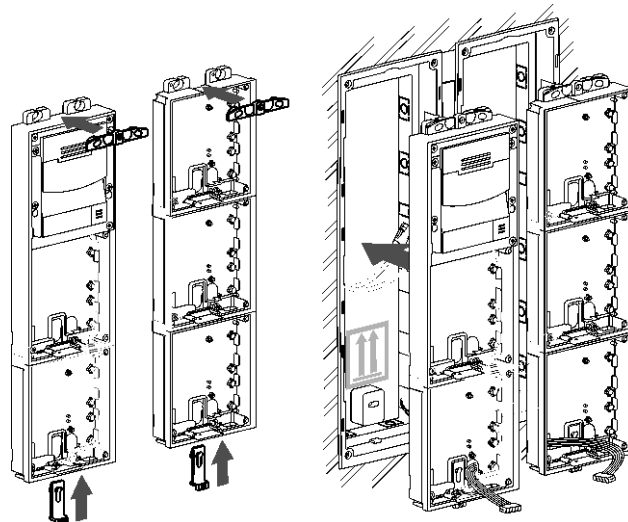
*In case of acoustic deficiencies, Zennio may supply a modified frame for whose installation step number 1 should be ignored. In such case, though, it is essential that the microphone remains properly connected.

ASSEMBLY OF FRAME (MULTIPLE-COLUMN LAYOUT)

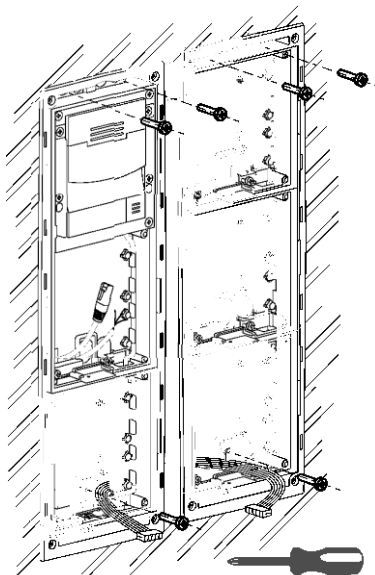
1 Please remove the blind panels and the additional modules. After that, assemble the additional module enclosures, opening the gaps previously. Then, fix the assembly using the supplied parts and screws. Move the microphone to the lower module.*



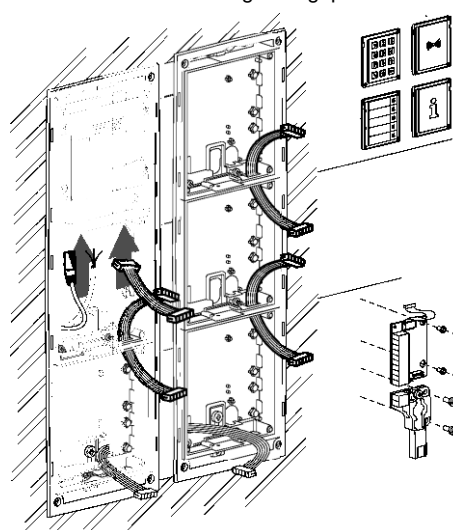
2 Place the metallic parts supplied with the frame. Put the assemblies inside the flush-mount box, pass previously the bus through the gaps and recover the cables.



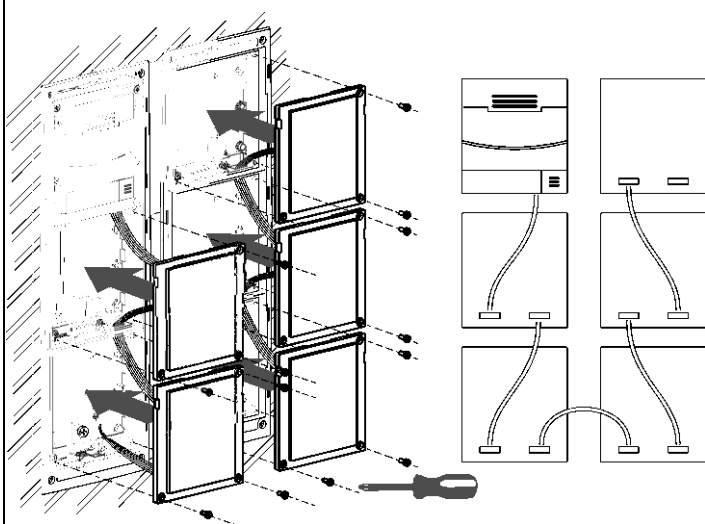
3 Fix the assemblies to the flush-mount boxes with screws.



4 Make the connections of the basic unit and prepare the additional modules. Pass the bus cables through the gaps.



5 Interconnect the additional modules with the bus as indicated in the schema and then, fix the additional modules with the supplied screws.



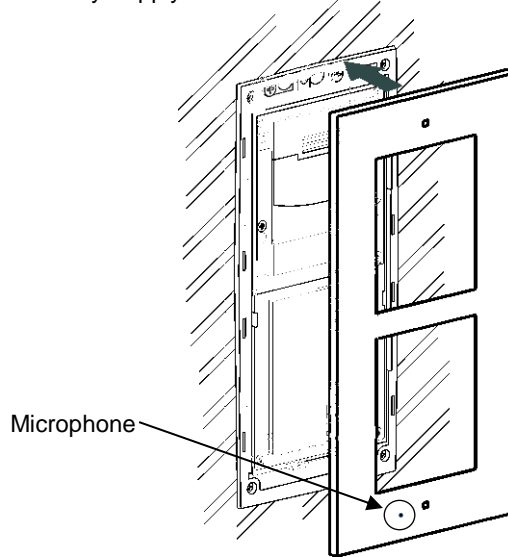
6 Place the frames and fix them by using the supplied Allen key.*



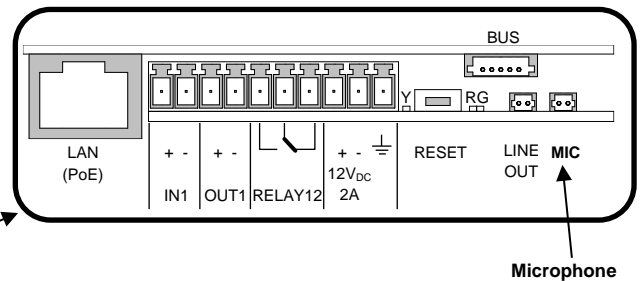
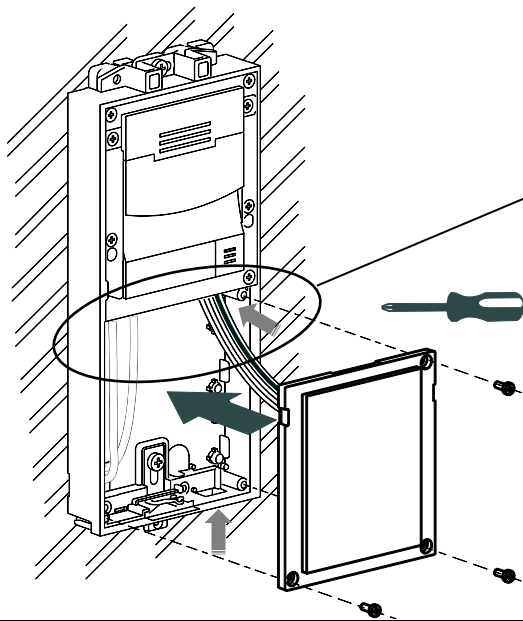
*In case of acoustic deficiencies, Zennio may supply a modified frame for whose installation step number 1 should be ignored. In such case, though, it is essential that the microphone remains properly connected.

ASSEMBLY OF FRAME (MODIFIED FRAME)

1 In case of acoustic deficiencies, Zennio may supply a modified frame. In this case, the microphone will be attached to the frame.



2 Introduce the cable of the microphone through the gap of the basic unit as shown in the image. After that, connect it to the "MIC" connection of the basic unit.



Note:

After the connection of the microphone and during the installation of any other modules of the assembly, please hold the modified frame firmly to avoid damage to the microphone due to its weight. It is highly advisable to perform this step with the help of another operator.

3 In case the modified frame needs to be removed, please be careful during this step as sudden actions may damage the microphone or its cable, as indicated above.

