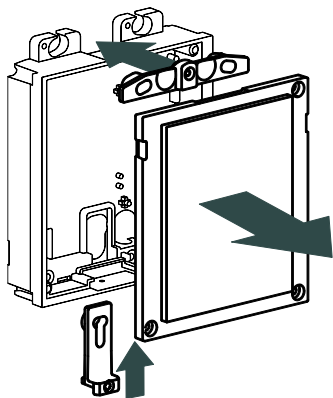
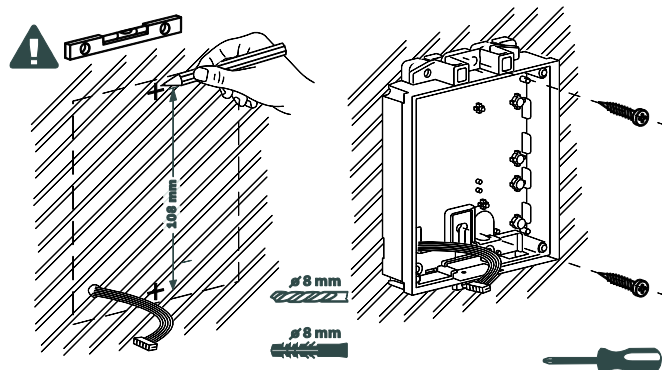


ASSEMBLY OF THE FRAME

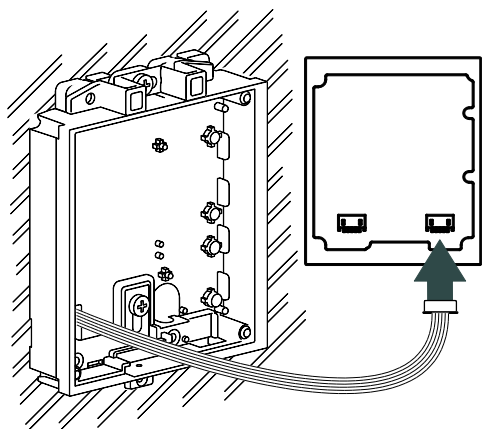
1 Please remove the additional module from the enclosure and place the metallic auxiliary parts supplied with the frame.



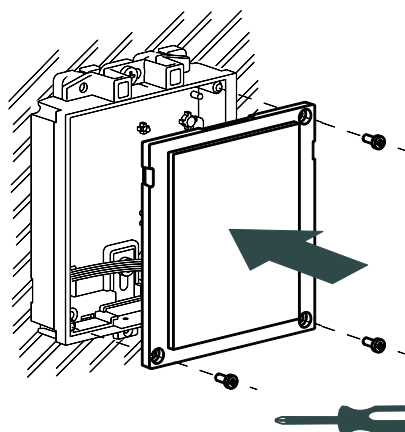
2 Place the additional module enclosure correctly levelled on the wall and drill two holes for the expanding plugs. Recover the cables and fix the enclosure with the screws (included).



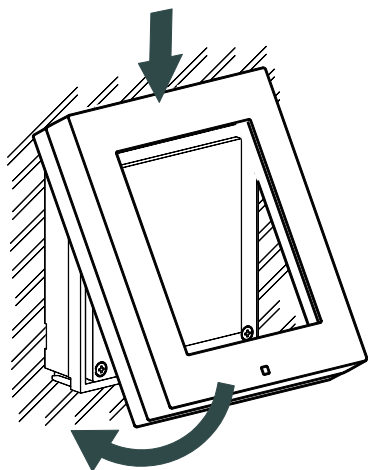
3 Connect the bus to the additional module.



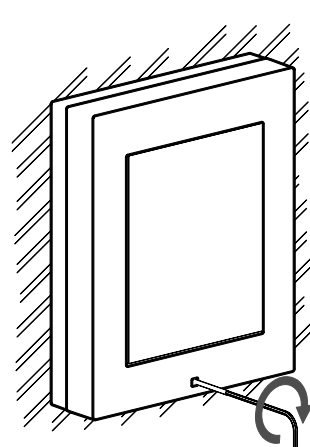
4 Fix the additional module with the supplied screws.



5 Place the frame.



6 Fix the frame by using the supplied Allen key.

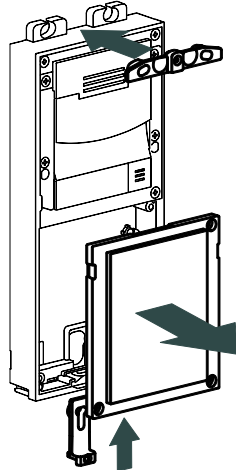


Dimensions: 128 x 106.5 x 27.5 mm

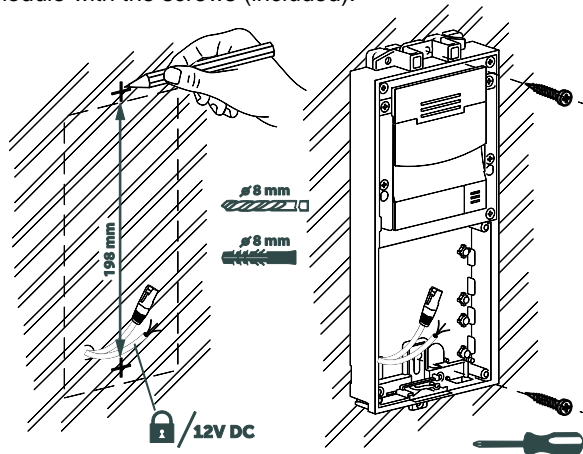
Note: It is recommended to install the backplate (ZVP-BPLA1) if the wall surface irregularity is greater than 0.5mm.

ASSEMBLY OF THE FRAME (ONE-COLUMN LAYOUT)

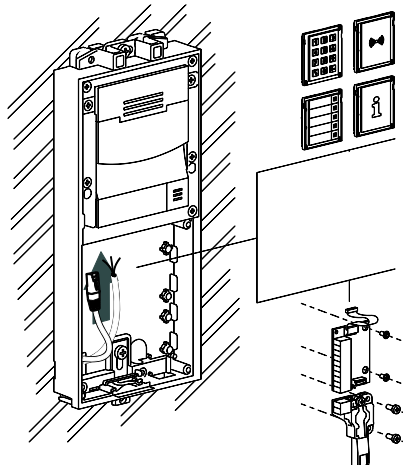
- 1** Please remove the blind panel of the basic unit and place the metallic auxiliary parts supplied with the frame.



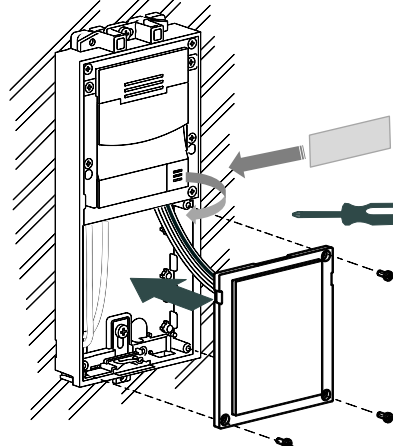
- 2** Place the basic unit correctly levelled on the wall and drill two holes for the expanding plugs. Recover the cables and fix the module with the screws (included).



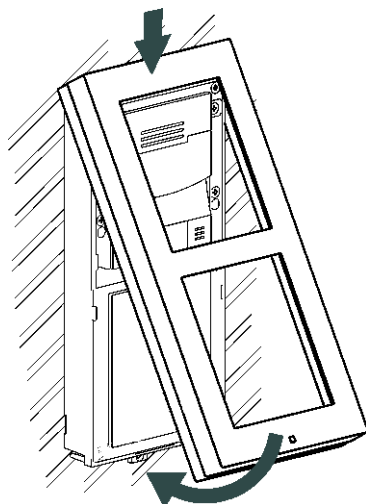
- 3** Connect the cables to the basic unit and interconnect the additional modules with the bus.



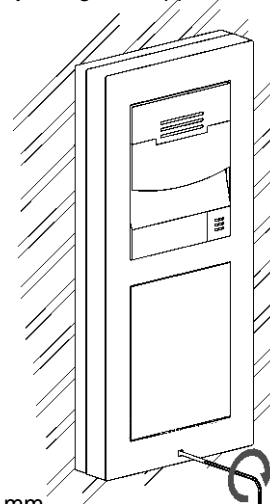
- 4** Fix the blind panel (or additional modules that remain in sight) with the supplied screws and put the labels with captions next to the buttons.



- 5** Place the frame.



- 6** Fix the frame by using the supplied Allen key.

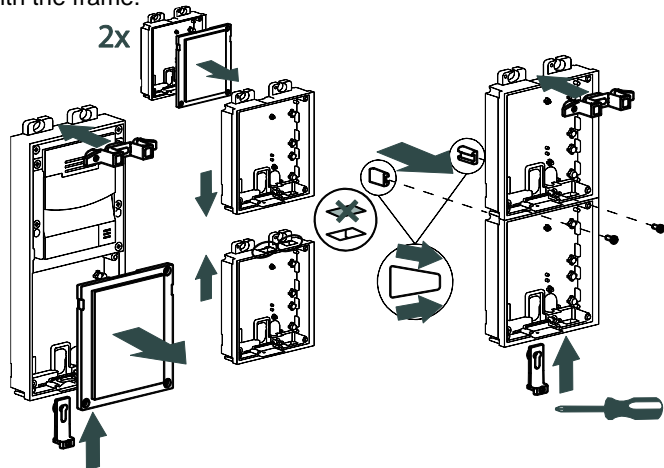


Dimensions:
232 x 106.5 x 27.5 mm

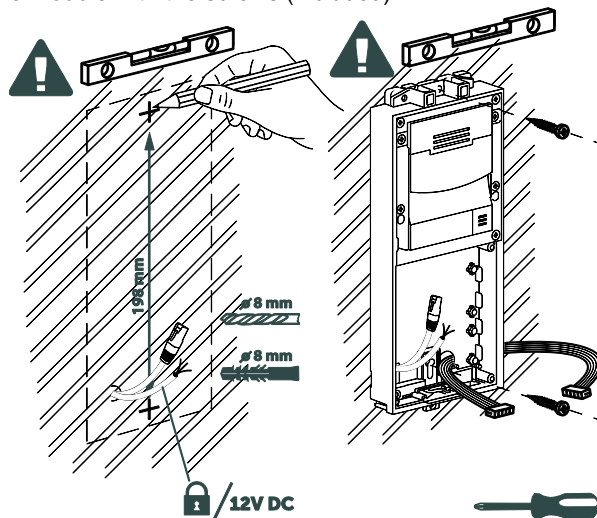
Note: it is recommended to install the backplate (ZVP-BPLA2) if the wall surface irregularity is greater than 0.5mm.

ASSEMBLY OF THE FRAME (MULTIPLE-COLUMN LAYOUT)

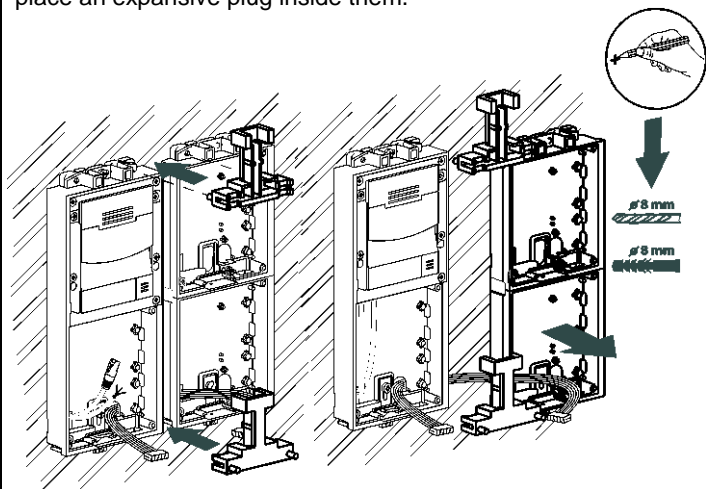
1 Please remove the blind panels and the additional modules. After that, assemble the additional module enclosures by opening the gaps previously. Then, fix the assembly by using the supplied parts and screws. Place the metallic parts supplied with the frame.



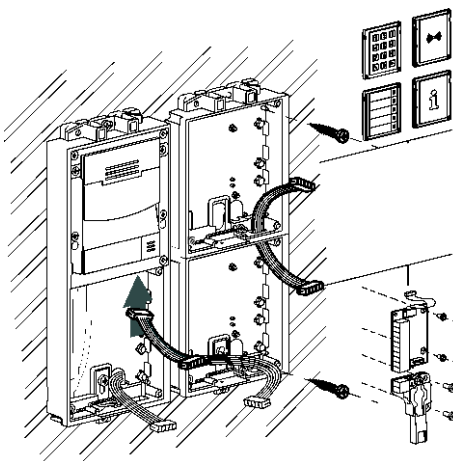
2 Place the left assembly correctly levelled on the wall and drill two holes for the expansive plugs. Recover the cables and fix the module with the screws (included).



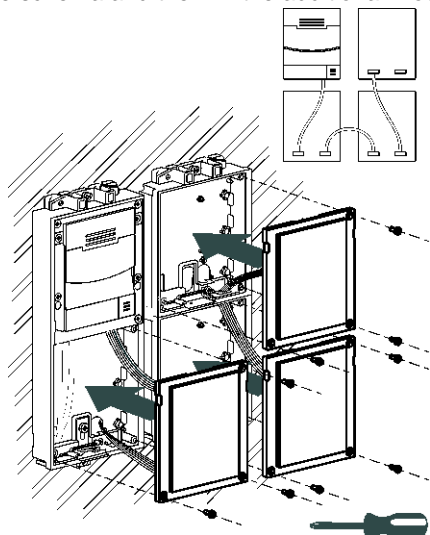
3 Place the right assembly on the wall by using the T-shape parts. Mark the position of the holes, drill them and afterwards place an expansive plug inside them.



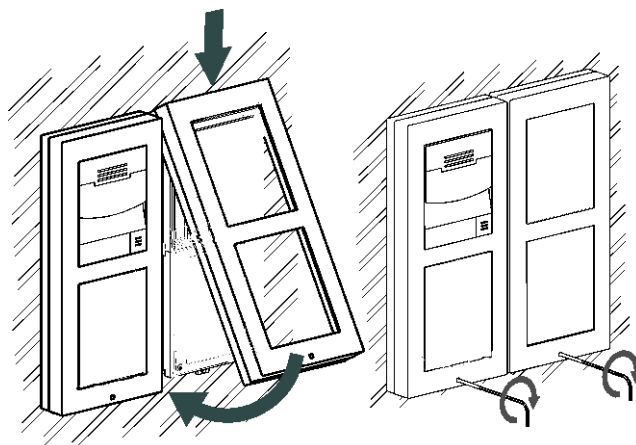
4 Fix the right assembly to the wall with screws. Make the connections of the basic unit and prepare the additional modules. Pass the bus cable through the gaps.



5 Interconnect the additional modules with the bus as indicated in the schema and then fix the additional modules with screws.



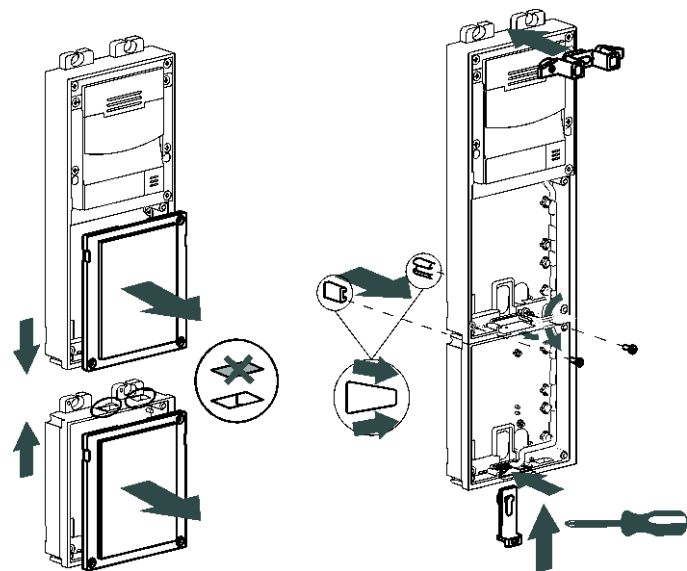
6 Place the frames and fix them by using the supplied Allen key.



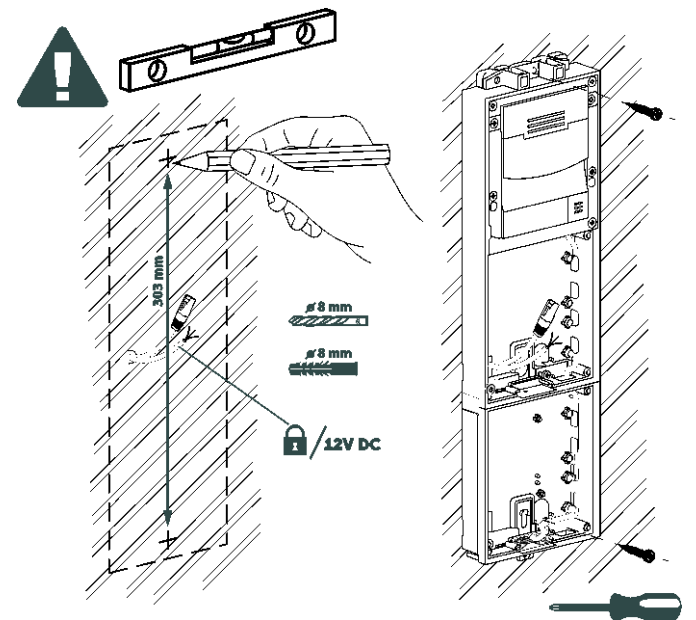
Note: it is recommended to install the backplate (ZVP- BP2W2H) if the wall surface irregularity is greater than 0.5mm.

ASSEMBLY OF THE FRAME (ONE-COLUMN LAYOUT)

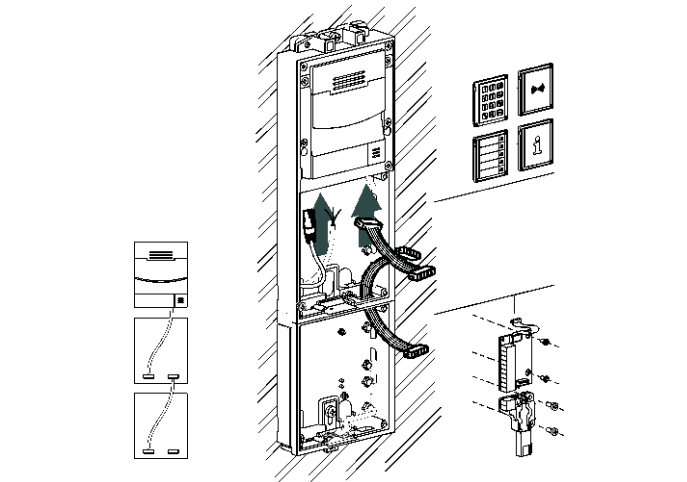
1 Please remove the blind panels and the additional modules. After that, assemble the additional module enclosures, opening the gaps previously. Then fix the assembly by using the supplied parts and screws. Place the metallic auxiliary parts supplied with the frame. Move the microphone to the lower enclosure.



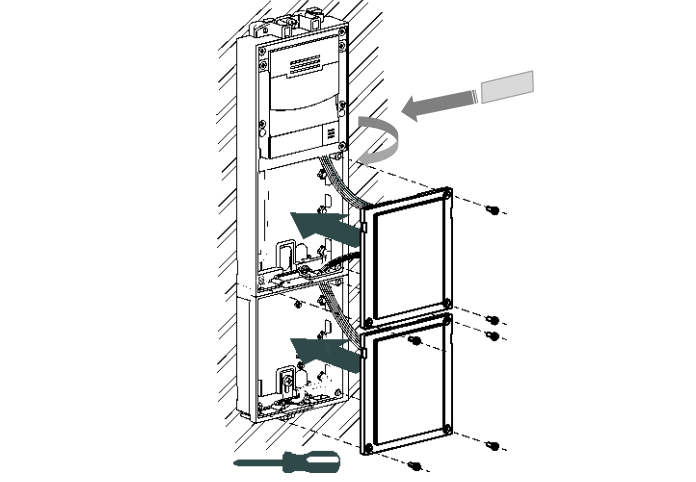
2 Place the basic unit correctly leveled on the wall and drill two holes for the expanding plugs. Recover the cables and fix the module with the screws (included).



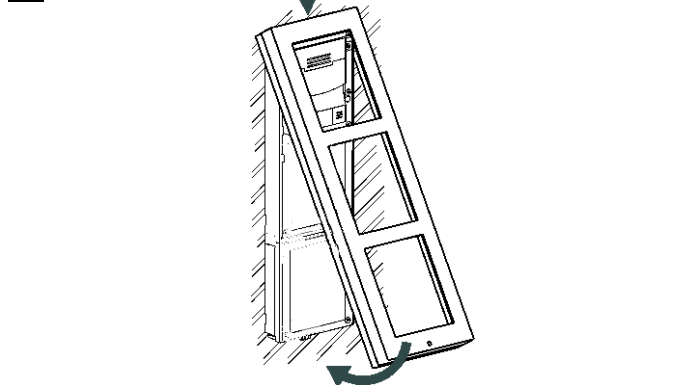
3 Connect the cables to the basic unit and interconnect the additional modules with the bus as shown in the schema.



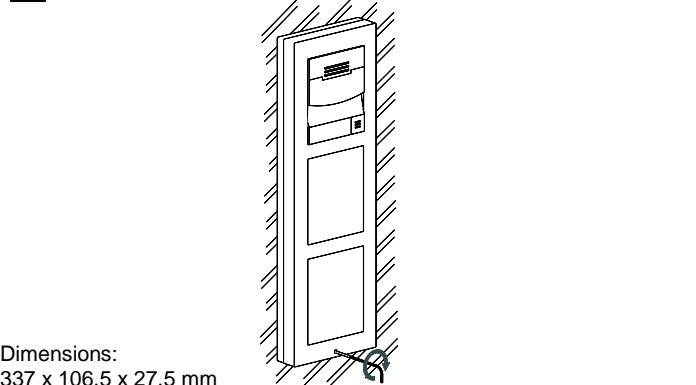
4 Fix the blind panel and additional modules that remain in sight with supplied screws and put the labels with captions next to the buttons.



5 Place the frame.



6 Fix the frame using by the supplied Allen key.

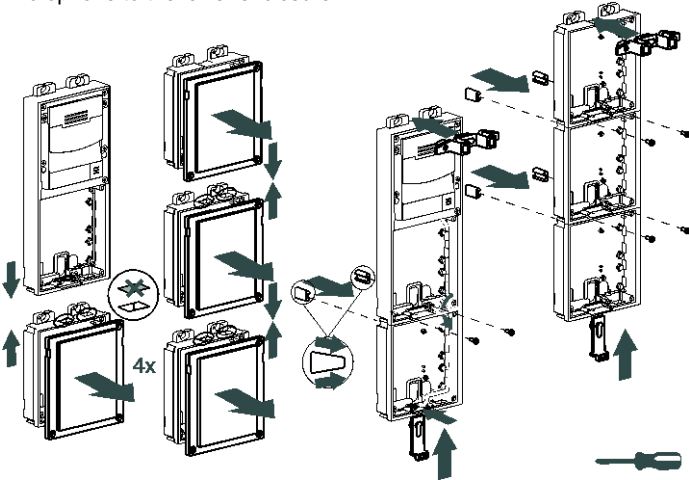


Dimensions:
337 x 106.5 x 27.5 mm

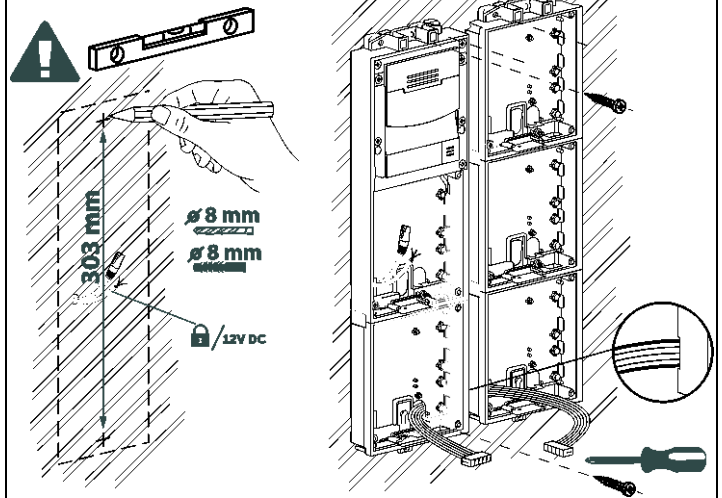
Note: it is recommended to install the backplate (ZVP-BPLA3) if the wall surface irregularity is greater than 0.5mm.

ASSEMBLY OF THE FRAME (MULTIPLE-COLUMN LAYOUT)

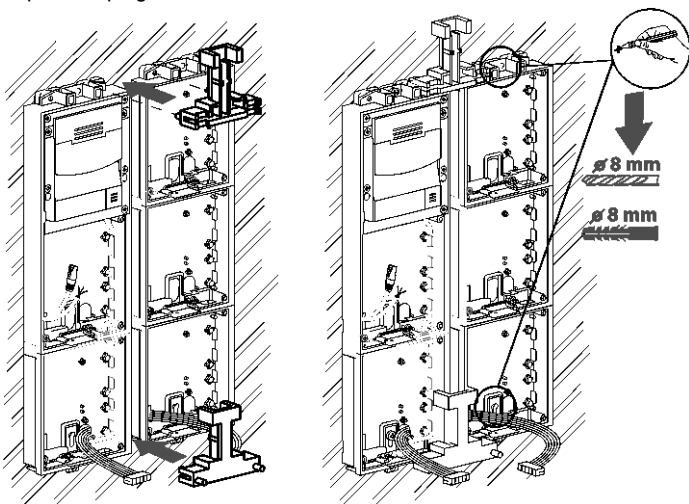
1 Please remove the blind panels and the additional modules. After that, assemble the additional module enclosures by opening the gaps previously. Then, fix the assembly by using the supplied parts and screws. Place the metallic parts supplied with the frame. Move the microphone to the lower enclosure.



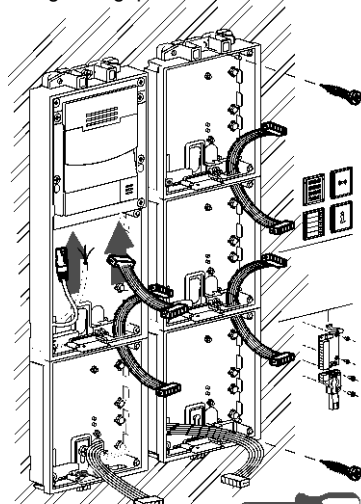
2 Place the left assembly correctly leveled on the wall and drill two holes for the expansive plugs. Recover the cables, place the bus and fix the left assembly with the screws (included).



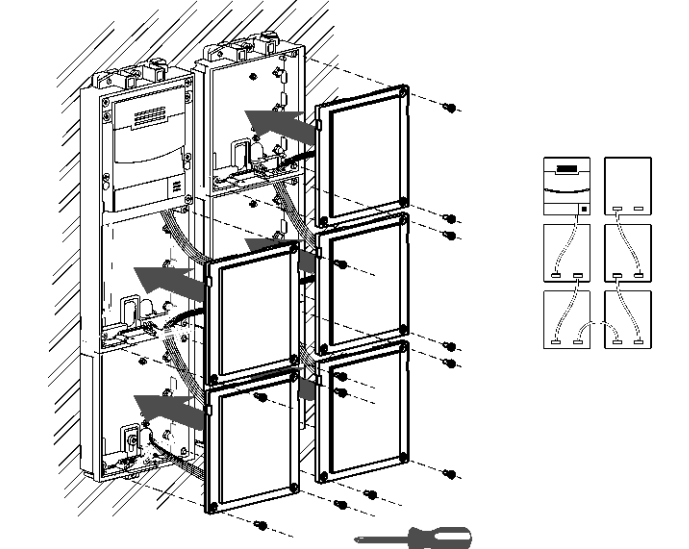
3 Place the right assembly on the wall by using the T-shape parts. Mark the position of the holes, drill them and afterwards place expansive plugs inside.



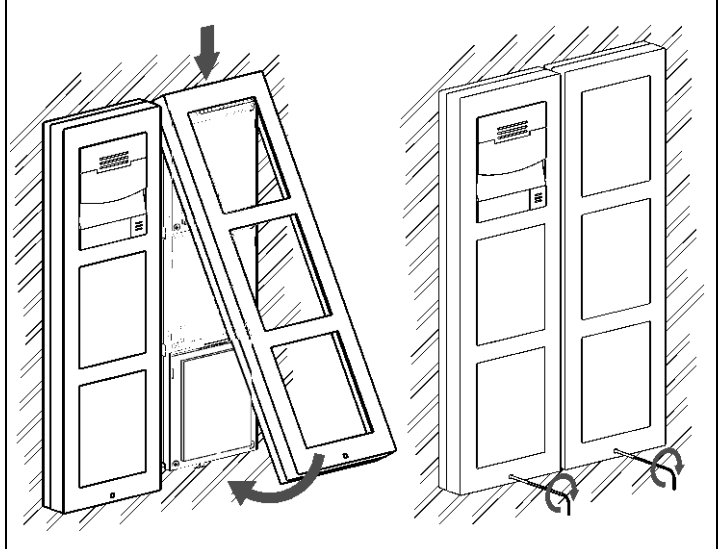
4 Fix the right assembly to the wall with screws. Make the connections of the basic unit and prepare the additional modules. Pass the bus cable through the gaps.



5 Interconnect the additional modules with the bus as indicated in the schema and then fix the additional modules with the screws.



6 Place the frames and fix them by using the supplied Allen key.



Note: it is recommended to install the backplate (ZVP-BP2W3H, ZVP- BP3W3H) if the wall surface irregularity is greater than 0.5mm.