

## FEATURES

- Temperature probe.
- 0.5°C accuracy (@25°C).
- 0.1°C measure precision.
- Size: 90.2mm x 90.2mm.
- Magnetic fit with security mechanism to avoid accidental extraction. Metallic stand included.
- CE directives compliant.

1. Magnet    2. Input connector    3. Front glass

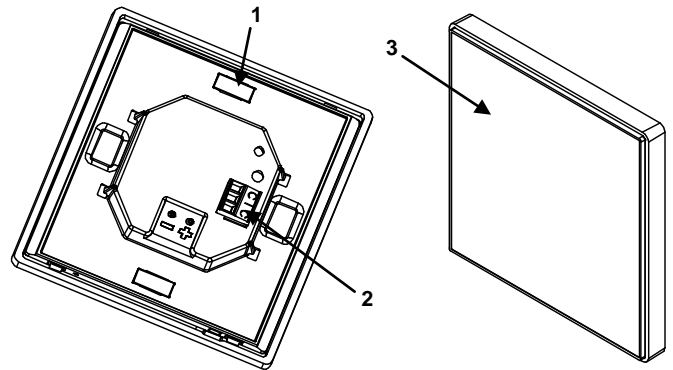
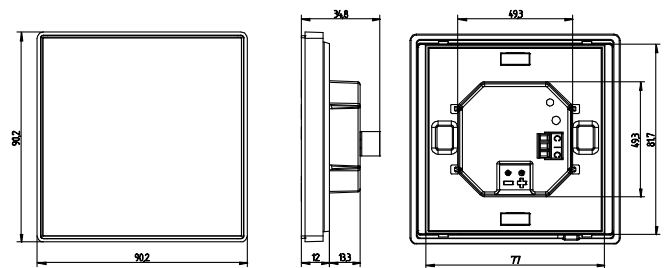


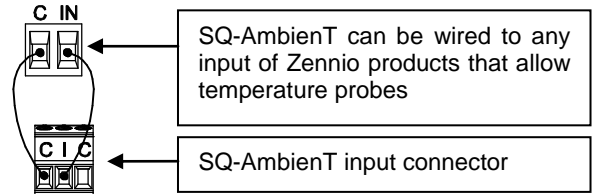
Figure 1: SQ-AmbientT

GENERAL SYSTEM SPECIFICATIONS	
CONCEPT	DESCRIPTION
External power supply	No
Ambient temperature	from 0°C to +55°C
Storage temperature	from -20°C to +70°C
Ambient humidity	5 to 95% RH (no condensation)
Storage humidity (relative)	5 to 95% RH (no condensation)
Complementary characteristics	Class B
Safety class	III
Device action type	Type 1
Type of protection	IP20, clean environment
Assembly	Vertical position. See example in "installation diagram"
Weight	79.5 gr.
PCB CTI index	175 V
Enclosure	PC+ABS FR V0 halogen free
Thermistor value (@25°C)	6.8kΩ
Accuracy (@25°C)	0.5°C
Temperature measure precision	0.1°C
Cable cross-section	0.15 mm <sup>2</sup> - 1.5 mm <sup>2</sup> (26-16AWG)
Max. cable length	30m.

## MAIN DIMENSIONS (mm)

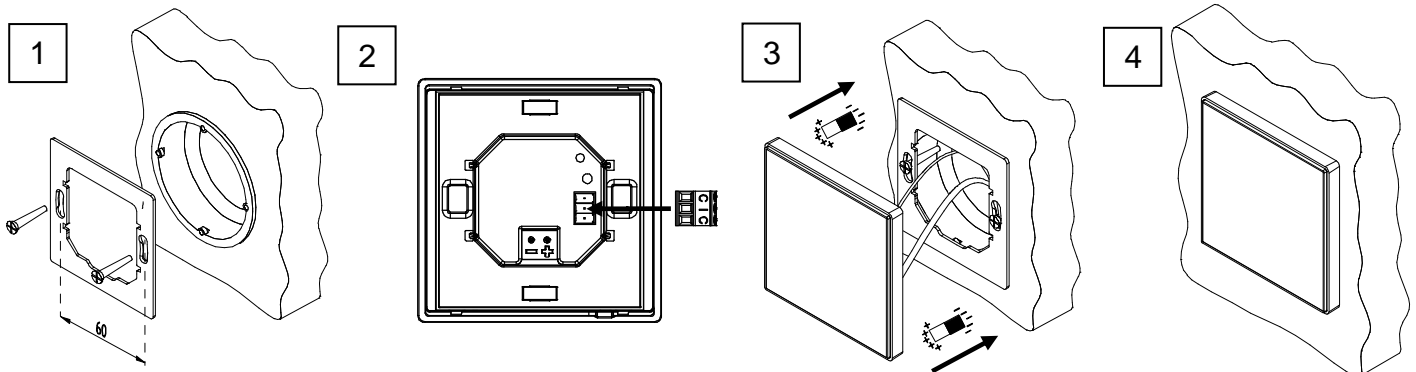


## INPUT CONNECTION



## INSTALLATION AND CONNECTION DIAGRAM

- Step 1:** Place the metallic stand into a squared or rounded standard mounting box with the own screws from the box.
- Step 2:** Connect the input terminal at the rear of the device.
- Step 3:** Fit SQ-AmbientT in the metallic stand. The device is fixed thanks to the magnets.
- Step 4:** Slid SQ-AmbientT downwards to fix it with the security anchorage system. Check, from the side, that nothing unless SQ-AmbientT outline can be seen.



## INSTALLATION ADVICES



In order to ensure the best measurement results, keep away from the next external influences:

- Direct sunlight.
- Drafts from windows, doors or ducts.
- Warm or cold structures due to, for example, sunlight, heating or cold water pipes.



The WEEE logo means that this device contains electronic parts and it must be discarded properly following the instructions of <http://zennio.com/wEEE-regulation>