

FEATURES

- 6.5" coaxial audio loudspeaker.
- Compact loudspeaker with white metallic grille and adjustable plastic clamps.
- Built-in 25mm tweeter.
- Flush-mounted.
- Dimensions Ø211 x 79mm.
- Conformity with the CE directives.

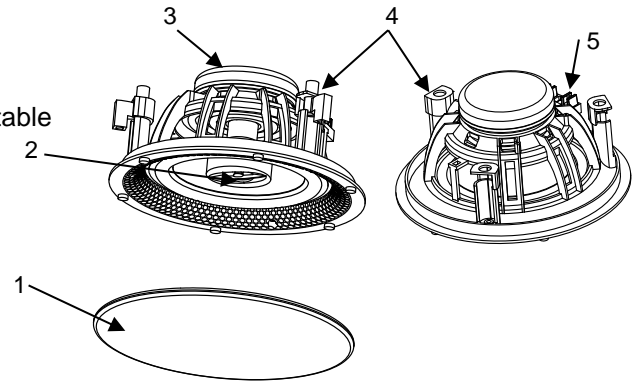


Figure 1. LS3 Loudspeaker

1. Metallic grille	2. Tweeter	3. Loudspeaker magnet	4. Adjustable plastic clamps	5. Audio Input clamps
--------------------	------------	-----------------------	------------------------------	-----------------------

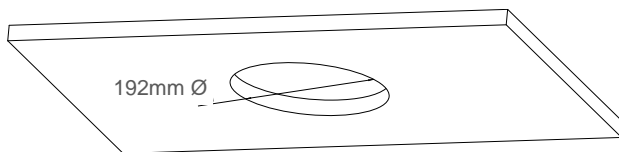
GENERAL SPECIFICATIONS	
CONCEPT	DESCRIPTION
Type of device	Electric operation control device
External power supply	Not required
Operation temperature	-15°C to +40°C
Storage temperature	-20°C to +55°C
Operation humidity	5 to 95% RH (no condensation)
Storage humidity	5 to 95% RH (no condensation)
Complementary characteristics	Class B
Protection class	III
Operation type	Continuous operation
Device action type	Type 1
Electrical stress period	Long
Degree of protection	IP20, clean environment
Installation	Flush-mounted
Minimum clearances	Not required
Weight	740g

LOUDSPEAKER SPECIFICATIONS	
CONCEPT	DESCRIPTION
Maximum power (RMS)	60W
Loudspeaker model	Coaxial
Impedance	8Ω
Frequency response	60Hz – 20kHz
Sensitivity (1W, 1m)	88 dB _{SPL}
Installation hole diameter	192mm
Cable cross-section	0.5mm ² to 2.5mm ² (26-12AWG)
Connection method	Pressure terminal block

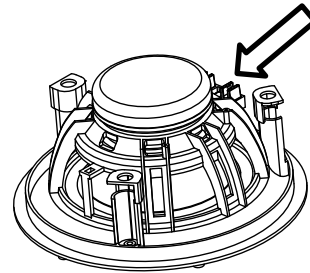
ASSEMBLY DIAGRAM

1. Mark and make a hole for the loudspeaker by using the template bundled with the product.
2. Make the connections with the AudioInRoom device paying attention to the polarity.
3. Align the loudspeaker with the hole made on the surface and insert it. Tighten the screws to close the adjustable plastic clamps. Please, pay attention to the width of the ceiling.
4. Place the metallic grille on the loudspeaker with the aid of the magnets. Perform this step without removing the black filter from the grille, as it prevents small particles from entering the loudspeaker compartment.

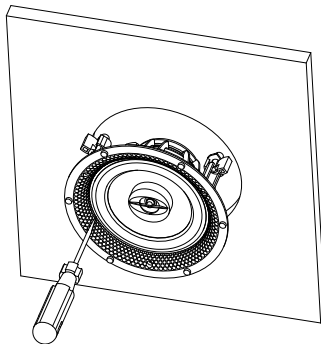
1



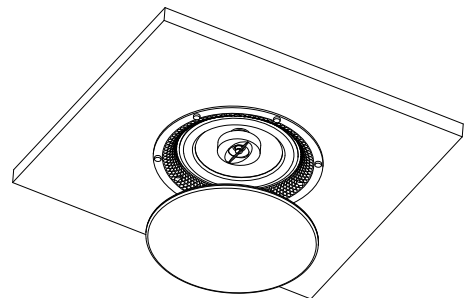
2



3



4



SAFETY INSTRUCTIONS

- Installation should only be performed by qualified professionals according to the laws and regulations applicable in each country.
- Keep the device away from water and do not cover it with clothes, paper or any other material while in use.
- The device must not be lubricated. Contact with dust, dirtiness or paint must be avoided.
- The WEEE logo means that this device contains electronic parts and it must be properly disposed of by following the instructions at <http://zennio.com/wEEE-regulation>.

