

FEATURES

- Size: 60 x 90 x 79 mm (4.5 DIN rail units).
- KNX System Power Supply with additional 29VDC output.
- 230VAC 50/60Hz input voltage.
- ZPS640MPA230 power supply generates and monitors the KNX system voltage supply.
- Maximum current 640mA (KNX bus plus additional output consumption).
- KNX coil included.
- DIN rail mounting (EN 50022), through pressure.
- Short-circuit and overload protection.
- Reset button and overload status LED.
- Conformity with the CE directives (CE-mark in the right side).

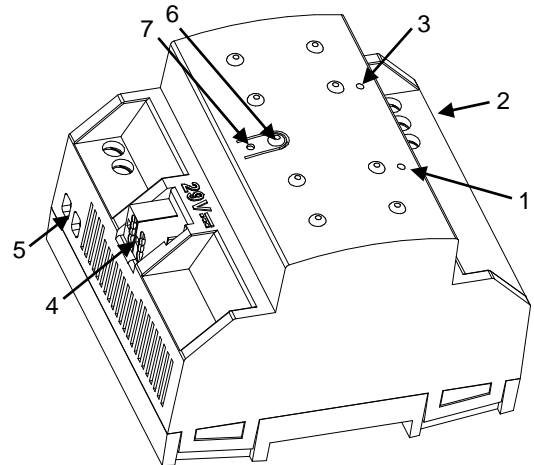


Figure 1: ZPS640MPA230 power supply

1. OVERLOAD LED	2. Main Power	3. POWER LED	4. KNX bus
5. Additional Output	6. RESET button	7. RESET LED	

	Safety isolating transformer, short-circuit proof
	For indoor use only

Installation and Connection.

- This KNX power supply must be exclusively installed in a 35mm DIN rail inside a distribution box or an electrical panel.
- Ensure adequate ventilation to prevent the range of the permissible temperatures from being exceeded.
- Main power must be connected to L, N and ground terminals, in accordance with the schematic represented in figure 2.
- The coil integrated bus output must be connected through a standard KNX connector.
- The additional output connection must be connected according to the polarity indicated on the enclosure.

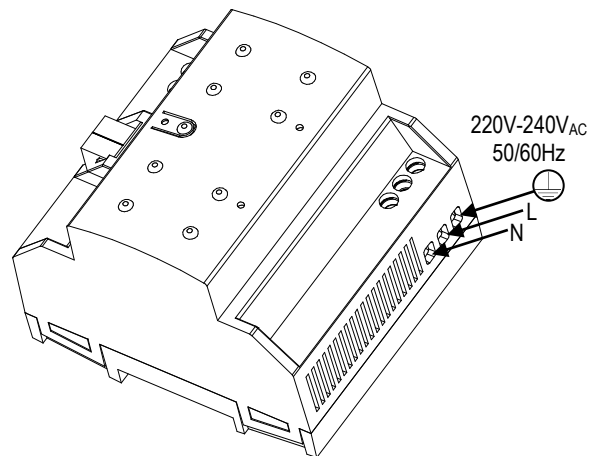


Figure 2: ZPS640MPA230 installation and connection

Controls and indicators.

POWER LED indicates the status of the device :

- LED ON (green): the device is working properly.
- LED OFF: input voltage failure.
- LED blinking (green): KNX bus and/or additional output short-circuit.

OVERLOAD LED indicates if the maximum current specified is exceeded:

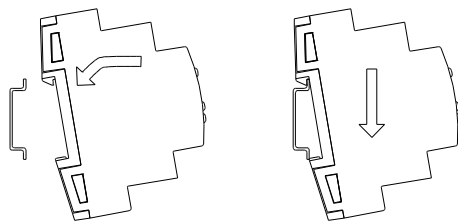
- LED OFF: maximum current specified is not exceeded.
- LED blinking (red): switch off due to overload in the KNX bus and/or the additional output*.
- LED ON (red): bus and/or additional output line overload*.

*Reduce the load on the bus and/or the additional output lines until its total consumption does not exceed the maximum current specified. After that, please reset the bus power supply.

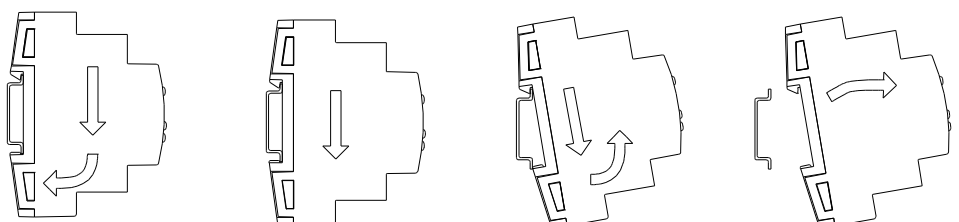
Note: To reset the bus power supply, the RESET button should be pressed (it is recommended to hold it for at least 5 seconds to verify the reset of all the devices in the line). The RESET LED will blink slightly in RED while the RESET button is pressed.

GENERAL SYSTEM SPECIFICATIONS		
CONCEPT	DESCRIPTION	
Type of device	Electric Operating Control Device	
External power supply	Voltage	220V-240VAC 50/60Hz
	Consumption	Max. 250mA
Bus output	Voltage	29VDC SELV (KNX coil included)
	Output (I _{BUS})	Max. 640mA
Additional output	Voltage	29VDC SELV
	Output (I _{AUX})	I _{AUX} + I _{BUS} ≤ 640mA
Operation temperature	from -5°C to +45°C	
Storage temperature	from -20°C to +55°C	
Operation humidity	from 30 to 85% RH (no condensation)	
Storage humidity	from 30 to 85% RH (no condensation)	
Complementary characteristics	Class B	
Protection class	Class I	
Operation type	Continuous operation	
Device action type	Type 1	
Electrical stress period	Long	
Degree of protection	IP20. Clean environment	
Installation	Independent device to be mounted inside distribution boxes or electrical panels.	
Minimum clearances	Not required	
Power failure back-up time	130ms	
Max current before overload	1A	
Protection fuse	Voltage	250V
	Current	2.5 ^a
	Response	Type F (fast response)
Connection type	Screw terminals block	
Cable section	from 0,5mm ² to 4mm ²	
Operation indicator	Green POWER LED ON implies a correct bus voltage. Red OVERLOAD LED ON implies maximum output current exceeded.	
Weight	284g	
PCB CTI index	175V	
Housing Material	PC+ABS FR V0 halogen free	

Attaching Power Supply to DIN rail:



Removing Power Supply from DIN rail:



SAFETY INSTRUCTIONS

- Installation should only be performed by qualified professionals according to the laws and regulations applicable in each country.
- Do not connect the mains voltage nor any other external voltage to any point of the KNX bus; it would represent a risk for the entire KNX system. The facility must have enough insulation between the mains (or auxiliary) voltage and the KNX bus or the wires of other accessories, in case of being installed.
- The facility must be equipped with a device that ensures the omnipolar sectioning. Installation of a 10A mini-circuit-breaker is recommended. To prevent accidents, it must remain open in case of manipulation of the device.
- The device has a short-circuit protection fuse that, in case of activation, should only be rearmed or replaced by the Zennio technical service.
- Once the device is installed (in the panel or box), it must not be accessible from outside.
- Keep the device away from water and do not cover it with clothes, paper or any other material while in use.
- The WEEE logo means that this device contains electronic parts and it must be properly disposed of by following the instructions at <http://zennio.com/weee-regulation>.

