

FEATURES

- Schuko socket insert (reference 8300003)
- Available cover colours (sold separately, with reference 83000040X, where X = colour):
 - Anthracite (X=5)
 - Silver (X=6)
 - White (X=7)
 - Gloss white (X=8)
- Flush fitting with ZS55 series 1 to 4-gang frames (sold separately, with reference 980000Y0X, where Y = number of gangs, X = colour)
- The use of fixing clamps is optional. This reference is sold separately (reference ZACZSCLA2)
- Childproof safety shutter
- Dimensions 55.5 x 55.5 x 31.7 mm
- Low profile: it protrudes 9.5 mm from the wall
- Flush-mounted installation
- In compliance with the standard IEC 60884-1

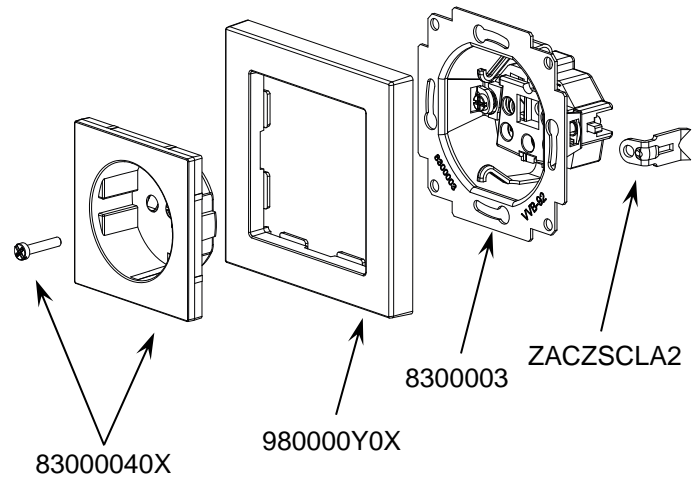


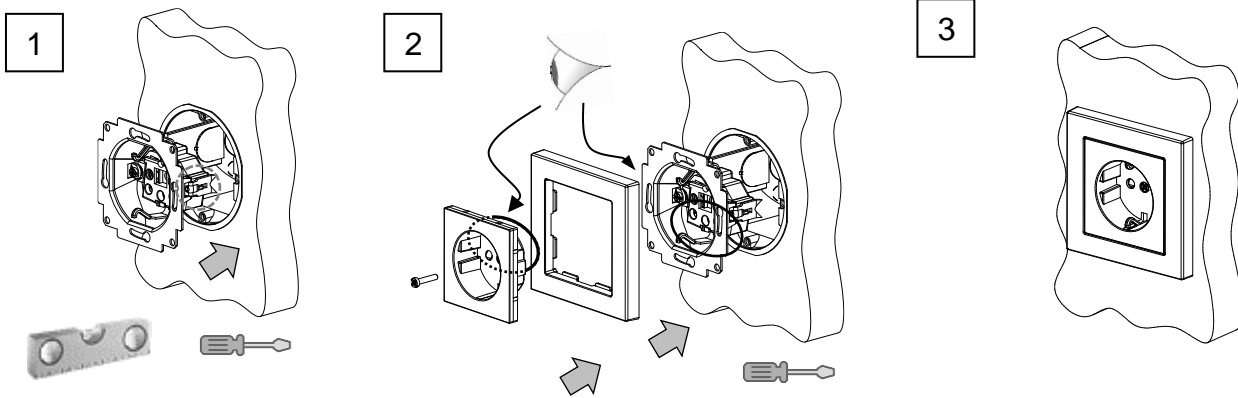
Figure 1. Schuko socket outlet

GENERAL SPECIFICATIONS	
CONCEPT	DESCRIPTION
Rated voltage	250 VAC
Rated current	16 A
Socket type	Schuko (type F)
Connection method	Screw terminal block (0.3 Nm max.)
Maximum cable cross-section	2.5 mm ² (IEC) / 12 AWG (UL)
Operation temperature	0 .. +40 °C
Storage temperature	-20 .. +55 °C
Operation humidity	5 .. 95% RH
Storage humidity	5 .. 95% RH
Degree of protection	IP20, clean environment
Installation	Independent device to be installed in back boxes.
Weight	67 g
Housing material	PC+ABS FR V0 halogen free, Nylon and thermosetting plastic

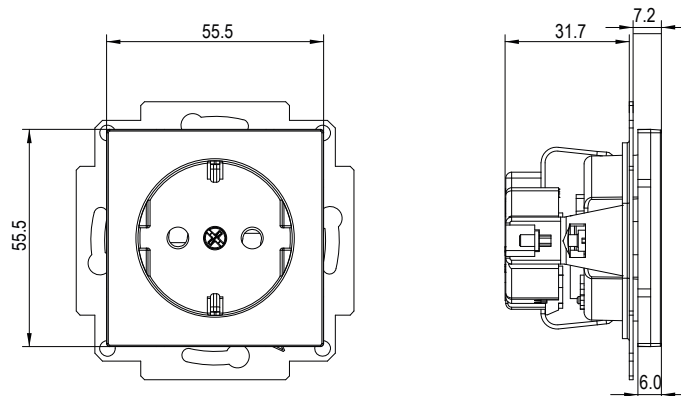
INSTALLATION INSTRUCTIONS

1. Connect the cables to the terminals and fix the metal plate into a square or round flush back box, by using the screws from the back box (fixing clamps can optionally be used). Check that the plate is correctly leveled.
2. Fix the frame and cover to the insert by using the central screw (0.25 Nm max.). Orientate the cover properly so that the shutter behind it is located on the opposite side of the wiring screws.
3. Check that the socket outlet is duly fixed.

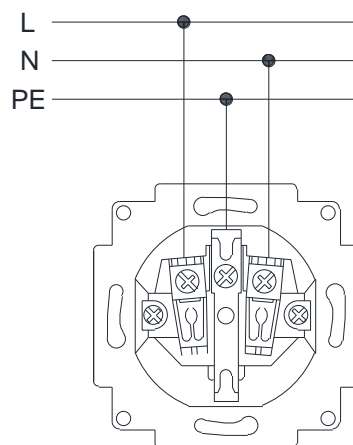
To remove it, proceed the reverse way.



DIMENSIONS (mm)



WIRING DIAGRAMS



SAFETY INSTRUCTIONS AND ADDITIONAL NOTES

- Installation should only be performed by qualified professionals according to the laws and regulations applicable in each country.
- The facility must be equipped with a device that ensures the omnipolar sectioning. Installation of a 16 A mini-circuit-breaker is recommended. To prevent accidents, it must remain open in case of manipulation of the device.
- Keep the device away from water (condensation over the device included) and do not cover it with clothes, paper or any other material while in use.
- The WEEE logo means that this device contains electronic parts and it must be properly disposed of by following the instructions at <https://www.zennio.com/en/legal/weee-regulation>.