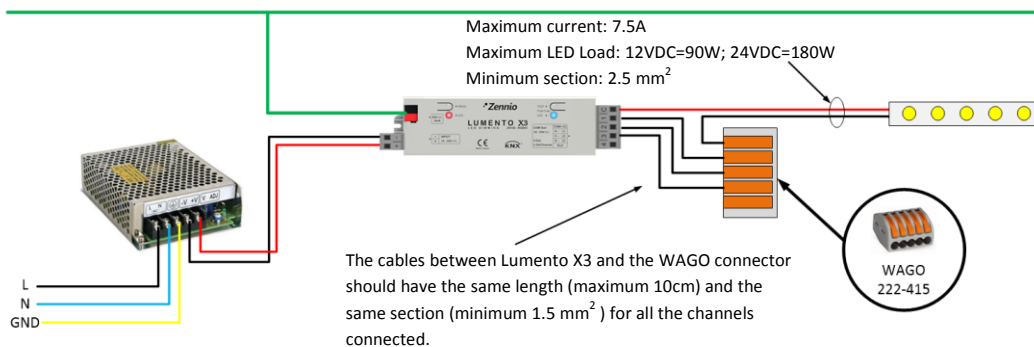
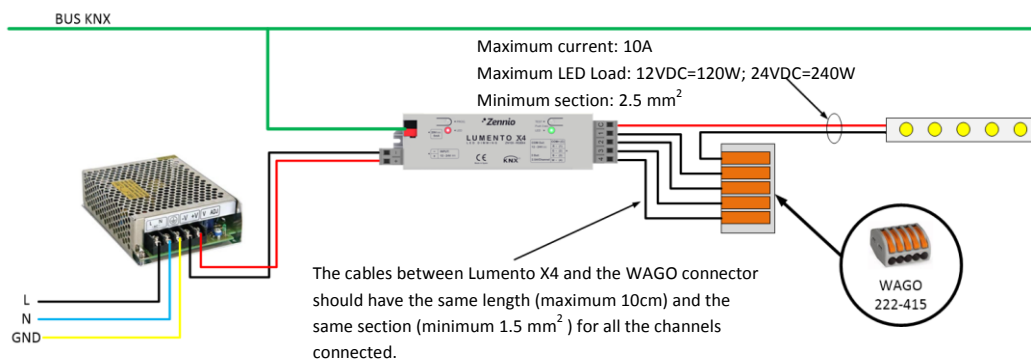


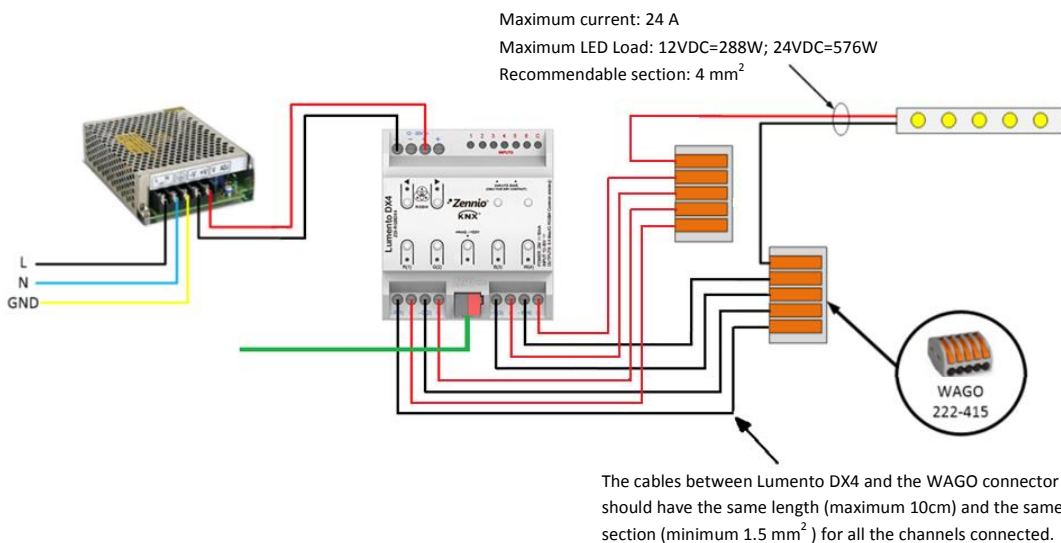
CONNECTION DIAGRAM FOR LUMENTO X3



CONNECTION DIAGRAM FOR LUMENTO X4



CONNECTION DIAGRAM FOR LUMENTO DX4



Important note: The maximum length between the WAGO connector and the LED strip should be calculated according to the allowed drop voltage for a proper regulation, the current consumed by the LED strip and the section of the cable