



# Presentia W0

**Motion Detector with Luminosity Sensor  
for Wall Mounting**

**ZPDW0**

Application program version: [1.1]  
User manual edition: [1.1]\_a

[www.zennio.com](http://www.zennio.com)

# CONTENTS

---

Contents .....	2
Document Updates .....	3
1 Introduction .....	4
1.1 Presentia W0 .....	4
1.2 Installation.....	5
1.3 Start-Up and Power Loss .....	7
2 Configuration.....	8
2.1 General.....	8
2.1.1 Configuration.....	8
2.2 Motion Detector.....	11
2.3 Logic Functions.....	12
ANNEX I. Communication Objects.....	13

## DOCUMENT UPDATES

---

Version	Changes	Page(s)
[1.1]_a	<b>Changes in the application program:</b> <ul style="list-style-type: none"><li data-bbox="443 526 877 560">• New device recovery objects.</li><li data-bbox="443 577 1206 660">• Optimisation of logic functions, luminosity sensor and motion detector modules.</li><li data-bbox="443 694 1150 728">• Presence detector is renamed as Motion Detector.</li></ul>	9 - -

# 1 INTRODUCTION

---

## 1.1 PRESENTIA W0

---

**Presentia W0** from Zennio is a device that aims at, among other functions, the motion detection, the measurement and control of the room luminosity and the detection of occupancy within the room where it has been installed. It has been designed for wall mounting by means of the bundled accessories.

The most outstanding features of Presentia W0 are:

- **3 available colours**, white, black and silver (lens are only available in white or black).
- **2 sensors** with configurable sensitivities.
- **1 LED** to indicate motion.
- **Motion detection:**
  - 6 motion detection channels.
  - Luminosity-dependent motion detection (optional).
  - Periodic and delayed sendings (binary, scene, HVAC, percentage).
- **Occupancy detection:**
  - 1x occupancy detection channel.
  - Master / slave configuration.
  - Trigger upon door opening or closing.
  - Periodic and delayed sendings (binary, scene, HVAC, percentage).
- **Luminosity measurement:**
  - Periodic sending or upon value change.
  - Sending of luminosity-dependent notifications.
- **Day / night** configuration.
- **10** customisable, multi-operation **logic functions**.
- **Heartbeat** or periodic “still alive” notification.

## 1.2 INSTALLATION

Presentia W0 connects to the KNX bus through the on-board KNX connector.

Once the device is provided with power from the KNX bus, both the individual address and the associated application program may be downloaded.

This device does not need any additional external power since it is entirely powered through the KNX bus.

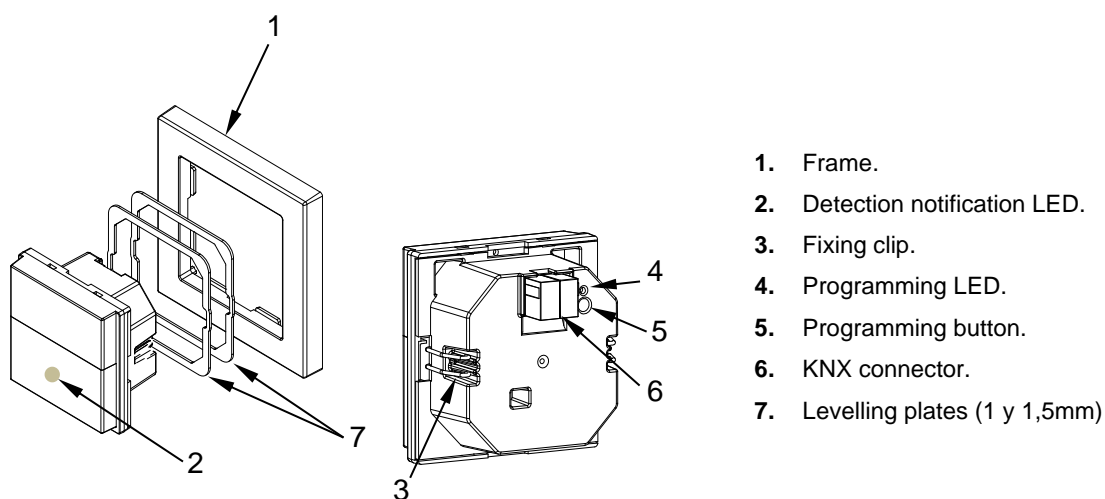


Figure 1. Presentia W0. Elements

The main elements of the device are described next.

- **Programming button (5):** a short press on this button sets the device into the programming mode, making the associated LED (4) light in red.

**Note:** if this button is held while plugging the device into the KNX bus, the device will enter the **safe mode**. In such case, the LED will blink in red every 0.5 seconds.

- **Detection notification LED (2):** emits a light flash whenever the sensor associated to that zone observes motion.

**Note:** for an optimal operation of the motion and luminosity sensors it is recommended that this detection notification LED only be activated during the installation process.

To get detailed information about the technical features of this device, as well as on the installation process and on security procedures, please refer to the corresponding **Datasheet**, bundled with the original packaging of the device and also available at [www.zennio.com](http://www.zennio.com).

### 1.3 START-UP AND POWER LOSS

---

During the start-up of the device, the detection notification LED flashes red for **one minute** before the motion sensor is operational.

Depending on the configuration, some specific actions will also be performed during the start-up. For example, the integrator can set whether the detection channels should start up enabled or disabled.

## 2 CONFIGURATION

After importing the corresponding database in ETS and adding the device into the topology of the desired project, the configuration process begins by entering the parameters window of the device

### 2.1 GENERAL

This window is subdivided into several other sections, which contain different general parameters.

#### 2.1.1 CONFIGURATION

##### ETS PARAMETERISATION

From “General” tab all the required functionality can be activated/deactivated.

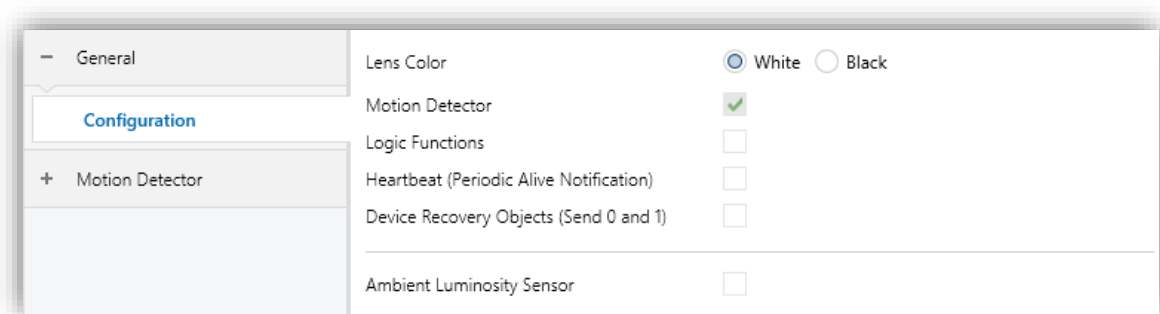


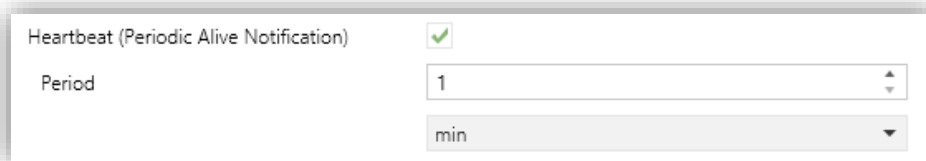
Figure 2. General

- **Lens Color** [[White](#) / [Black](#)]<sup>1</sup>: selects the lens colour depending on Presentia W0 type (white or black), allowing a correct measurement of luminosity and detections through the sensors.
- **Motion Detector** [[enabled](#)]: enables the “Motion Detector” tab in the tree on the left. For more information, see section 2.2.
- **Logic Functions** [[enabled/disabled](#)] enables or disables the “Logic Functions” tab in the tree on the left. For more information, see section 2.3.

<sup>1</sup> The default values of each parameter will be highlighted in blue in this document, as follows: [[default/rest of options](#)].



- **Heartbeat (Periodic Alive Notification)** *[enabled/disabled]*: incorporates a one-bit object to the project (“**[Heartbeat] Object to Send ‘1’**”) that will be sent periodically with a value of “1” to notify that the device is still working (still alive).



Heartbeat (Periodic Alive Notification)

Period

Figure 3. Heartbeat

**Note:** *the first sending after download or bus failure takes place with a delay of up to 255 seconds, to prevent bus overload. The following sendings match the period set.*

- **Device Recovery Objects (Send 0 and 1)** *[disabled/enabled]*: this parameter lets the integrator activate two new communication objects (“**[Heartbeat] Device Recovery**”), which will be sent to the KNX bus with values “0” and “1” respectively whenever the device begins operation (for example, after a bus power failure). It is possible to parameterise a certain **delay** *[0...255]* to this sending.



Device Recovery Objects (Send 0 and 1)

Delay  s

Figure 4. Device Recovery Objects.

- **Ambient Luminosity Sensor** *[enabled/disabled]*: enables or disables the ambient luminosity sensor. When enabled, a new tab is added in the tree on the left. For more information, see section 2.1.1.1.

#### 2.1.1.1 AMBIENT LUMINOSITY SENSOR

Presentia W0 incorporates a **luminosity sensor** to receive and monitor ambient luminosity measurement.

Please refer to the specific manual “**Luminosity and Proximity Sensor**” (available in the Flat Display product section at the Zennio homepage, [www.zennio.com](http://www.zennio.com)) for

detailed information about the functionality and the configuration of the related parameters.

**Note:** *Proximity functionality, described in the "Luminosity and Proximity Sensor" manual, is not included in Presentia W0.*

## 2.2 MOTION DETECTOR

---

Presentia W0 incorporates six independent motion detection channels and one for occupancy detection.

- **Motion detection** consists in sending objects to the bus whenever the device observes a moving body (or no longer observes it) in the environment of the room where it has been installed.
- **Occupancy detection** is an algorithm that allows determining, through a multiple sensor configuration, whether a particular space is under occupation no matter if the occupant moves or not (i.e., no matter if the device is detecting motion in the room or not).

It also allows setting different luminosity setpoints or object types for **day and night time** as well as activating or deactivating the motion indicator LEDs.

Presentia W0 can also set custom **sensitivity** of the motion sensor and measure the **luminosity** level of the room. This measurement will be made according to the **colour of lens** selected.

Please refer to the specific manual “**Presence Detector**” available in Presentia W0 product section at the Zennio website ([www.zennio.com](http://www.zennio.com)) for detailed information about the functionality and the configuration of the related parameters.

Please note:

- *References to presence detection in this manual, in this case, correspond to motion detection.*
- *The constant light regulation functionality is not included (the working plane on which the device is installed is not suitable for this functionality).*
- *The unit of measurement for the luminosity level is percentage.*

## 2.3 LOGIC FUNCTIONS

---

This module makes it possible to perform numeric and binary operations to incoming values received from the KNX bus, and to send the results through other communication objects specifically enabled for this purpose.

Presentia W0 can implement up to **10 different and independent functions**, each of them entirely customisable and consisting of **up to 4 consecutive operations**.

The execution of each function can depend on a configurable **condition**, which will be evaluated every time the function is **triggered** through specific, parameterizable communication objects. The result after executing the operations of the function can also be evaluated according to certain **conditions** and afterwards sent (or not) to the KNX bus, which can be done every time the function is executed, periodically or only when the result differs from the last one.

Please refer to the “**Logic Functions**” user manual available under the Presentia W0 product section at the Zennio homepage ([www.zennio.com](http://www.zennio.com)) for detailed information about the functionality and the configuration of the related parameters.

## ANNEX I. COMMUNICATION OBJECTS

- “Functional range” shows the values that, with independence of any other values permitted by the bus according to the object size, may be of any use or have a particular meaning because of the specifications or restrictions from both the KNX standard or the application program itself.

Number	Size	I/O	Flags	Data type (DPT)	Functional Range	Name	Function
1	1 Bit		C - - T -	DPT_Trigger	0/1	[Heartbeat] Object to Send '1'	Sending of '1' Periodically
2	1 Bit		C - - T -	DPT_Trigger	0/1	[Heartbeat] Device Recovery	Send 0
3	1 Bit		C - - T -	DPT_Trigger	0/1	[Heartbeat] Device Recovery	Send 1
4	1 Byte	I	C - W - -	DPT_SceneNumber	0 - 63	[General] Scene: Receive	0 - 63 (Run Scene 1-64)
5	1 Byte		C - - T -	DPT_SceneControl	0-63; 128-191	[General] Scene: Send	0 - 63/128 - 191 (Run/Save Scene 1-64)
20	1 Bit		C - - T -	DPT_Bool	0/1	[General] Luminosity (1-Bit)	0 = Over Threshold; 1 = Under Threshold
	1 Bit		C - - T -	DPT_Bool	0/1	[General] Luminosity (1-Bit)	0 = Under Threshold; 1 = Over Threshold
46	1 Byte	O	C R - T -	DPT_Scaling	0% - 100%	Luminosity - Internal Sensor	%
50	1 Bit	I	C - W - -	DPT_DayNight	0/1	Day/Night	0 = Day; 1 = Night
	1 Bit	I	C - W - -	DPT_DayNight	0/1	Day/Night	0 = Night; 1 = Day
51	1 Bit	I	C - W - -	DPT_Enable	0/1	Detection LEDs	0 = Disable; 1 = Enable
	1 Bit	I	C - W - -	DPT_Enable	0/1	Detection LEDs	0 = Disable; 1 = Enable Only During the Day
	1 Bit	I	C - W - -	DPT_Enable	0/1	Detection LED	0 = Disable; 1 = Enable
	1 Bit	I	C - W - -	DPT_Enable	0/1	Detection LED	0 = Disable; 1 = Enable Only During the Day
52	1 Bit	O	C R - T -	DPT_Switch	0/1	Occupancy: Output (Binary)	Binary Value
	1 Bit		C - - T -	DPT_Start	0/1	Occupancy: Slave Output	1 = Motion Detected
53	1 Byte	O	C R - T -	DPT_Scaling	0% - 100%	Occupancy: Output (Scaling)	0-100%
54	1 Byte	O	C R - T -	DPT_HVACMode	1=Comfort 2=Standby 3=Economy 4=Building Protection	Occupancy: Output (HVAC)	Auto, Comfort, Standby, Economy, Building Protection
55	1 Bit	I	C - W - -	DPT_Window_Door	0/1	Occupancy: Trigger	Binary Value to Trigger the Occupancy Detection
56	1 Bit	I	C - W - -	DPT_Start	0/1	Occupancy: Slave Input	1 = Detection from slave device
57	2 Bytes	I	C - W - -	DPT_TimePeriodSec	0 - 65535	Occupancy: Waiting Time	0-65535 s.

58	2 Bytes	I	C - W - -	DPT_TimePeriodSec	0 - 65535	Occupancy: Listening Time	1-65535 s.
59	1 Bit	I	C - W - -	DPT_Enable	0/1	Occupancy: Lock	0 = Unlock; 1 = Lock
	1 Bit	I	C - W - -	DPT_Enable	0/1	Occupancy: Lock	0 = Lock; 1 = Unlock
60	1 Bit	O	C R - T -	DPT_Occupancy	0/1	Occupancy: Occupancy State	0 = Not Occupied; 1 = Occupied
61	1 Byte	I	C - W - -	DPT_Scaling	0% - 100%	Sensor 1 Sensitivity	1-100%
	1 Byte	I	C - W - -	DPT_Scaling	0% - 100%	Sensor Sensitivity	1-100%
62	1 Byte	I	C - W - -	DPT_Scaling	0% - 100%	Sensor 2 Sensitivity	1-100%
65, 74, 83, 92, 101, 110	1 Bit	I	C - W - -	DPT_Start	0/1	[Cx] External Motion Detection	1 = Motion detected by an external sensor
66, 75, 84, 93, 102, 111	1 Bit	O	C R - T -	DPT_Switch	0/1	[Cx] Output (Binary)	Binary Value
67, 76, 85, 94, 103, 112	1 Byte	O	C R - T -	DPT_Scaling	0% - 100%	[Cx] Output (Scaling)	0-100%
68, 77, 86, 95, 104, 113	1 Byte	O	C R - T -	DPT_HVACMode	1=Comfort 2=Standby 3=Economy 4=Building Protection	[Cx] Output (HVAC)	Auto, Comfort, Standby, Economy, Building Protection
69, 78, 87, 96, 105, 114	1 Bit	I	C - W - -	DPT_Enable	0/1	[Cx] Lock Status	0 = Unlock; 1 = Lock
	1 Bit	I	C - W - -	DPT_Enable	0/1	[Cx] Lock Status	0 = Lock; 1 = Unlock
70, 79, 88, 97, 106, 115	1 Bit	I	C - W - -	DPT_Start	0/1	[Cx] Force State	0 = No Detection; 1 = Detection
71, 80, 89, 98, 107, 116	1 Bit	I	C - W - -	DPT_Start	0/1	[Cx] External Switch	0 = No Detection; 1 = Detection
72, 81, 90, 99, 108, 117	2 Bytes	I/O	C R W - -	DPT_TimePeriodSec	0 - 65535	[Cx] Length of Detection	1-65535 s.
151, 152, 153, 154, 155, 156, 157, 158, 159, 160, 161, 162, 163, 164, 165, 166, 167, 168, 169, 170, 171, 172, 173, 174, 175, 176, 177, 178, 179, 180, 181, 182	1 Bit	I	C - W - -	DPT_Bool	0/1	[LF] (1-Bit) Data Entry x	Binary Data Entry (0/1)
183, 184, 185, 186, 187, 188, 189, 190, 191, 192, 193, 194, 195, 196, 197, 198	1 Byte	I	C - W - -	DPT_Value_1_Ucount	0 - 255	[LF] (1-Byte) Data Entry x	1-Byte Data Entry (0-255)
199, 200, 201, 202, 203, 204, 205, 206, 207, 208, 209, 210, 211, 212, 213, 214	2 Bytes	I	C - W - -	DPT_Value_2_Ucount	0 - 65535	[LF] (2-Byte) Data Entry x	2-Byte Data Entry
215, 216, 217, 218, 219, 220, 221, 222	4 Bytes	I	C - W - -	DPT_Value_4_Count	-2147483648 - 2147483647	[LF] (4-Byte) Data Entry x	4-Byte Data Entry
223, 224, 225, 226, 227, 228, 229, 230, 231, 232	1 Bit	O	C R - T -	DPT_Bool	0/1	[LF] Function x - Result	(1-Bit) Boolean
	1 Byte	O	C R - T -	DPT_Value_1_Ucount	0 - 255	[LF] Function x - Result	(1-Byte) Unsigned
	2 Bytes	O	C R - T -	DPT_Value_2_Ucount	0 - 65535	[LF] Function x - Result	(2-Byte) Unsigned
	4 Bytes	O	C R - T -	DPT_Value_4_Count	-2147483648 - 2147483647	[LF] Function x - Result	(4-Byte) Signed
	1 Byte	O	C R - T -	DPT_Scaling	0% - 100%	[LF] Function x - Result	(1-Byte) Percentage
	2 Bytes	O	C R - T -	DPT_Value_2_Count	-32768 - 32767	[LF] Function x - Result	(2-Byte) Signed
	2 Bytes	O	C R - T -	9.xxx	-671088.64 - 670433.28	[LF] Function x - Result	(2-Byte) Float

Join and send us your inquiries  
about Zennio devices:

<https://support.zennio.com>

**Zennio Avance y Tecnología S.L.**  
C/ Río Jarama, 132. Nave P-8.11  
45007 Toledo (Spain).

*Tel. +34 925 232 002.*

*www.zennio.com*  
*info@zennio.com*