

## INTRODUCTION

KLIC-DD v3 from Zennio is a gateway that provides full-duplex communication between the KNX home automation system and domestic range Daikin air-conditioning systems through the S21 port of interior units.

Because of this bidirectional communication, the air conditioning system can be controlled from the home automation system in the same manner as it is through its own controls. Moreover, the actual status of the unit can be monitored and periodically sent to the KNX bus to inform other devices.

## INSTALLATION

KLIC-DD v3 is a reduced-dimension device (39 x 39 x 14 mm) that has two terminals for integrating an air-conditioning unit into a KNX domestic system:

- **EIB bus connector**, for its connection to KNX system bus.
- **S21 connector**, for its connection to air-conditioning unit through a 5-wire cable, with S21 connector at both ends, provided with the KLIC-DD.

**Note:** It is necessary to take into account that the cable length is equal to 70 cm.

| Nr | Description             |
|----|-------------------------|
| 1  | Programming LED         |
| 2  | Programming Button      |
| 3  | Inputs                  |
| 4  | Cable with S21 terminal |
| 5  | Connector KNX           |

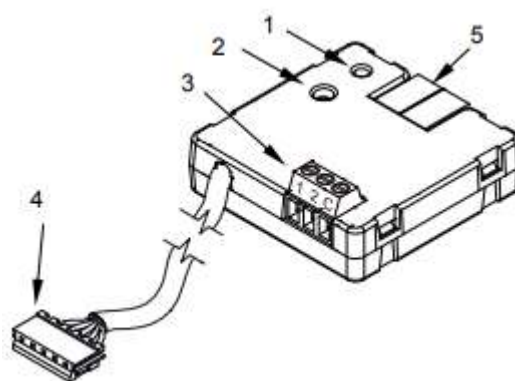


Figure 1 Elements of KLIC-DD V3

For installing the KLIC-DD v3, the device must be connected to KNX installation by means of the EIB bus connector, in the same way that any other KNX devices, taking into account the cable length between the KLIC-DD v3 and the air-conditioning unit (70 cm) and the position of the device in the installation.

Next, the KLIC-DD v3 must be connected to the PCB of the AC unit, through the S21 cable. For that:

**Step 1:**

Remove the AC unit casing and the piece of control taking care of not damaging the cables connected to the rear piece where it is fastened.

The connector S21 is located in the internal part of this piece.



**Step 2:**

Turn the piece of control softly and remove, in the units where it is included, the metallic piece that covers the internal part of this piece.



**Step 3:**

Once the metallic piece is removed, locate the S21 connector at the PCB.



**Step 4:**

Connect the S21 cable to the PCB.

S21



**Step 5:**

Replace all the pieces of AC unit taking care of not trapping the cable.

This device does not require any external power supply. Once it is fed through the KNX bus, both the physical address and the application program KLIC-DD v3 can be downloaded.