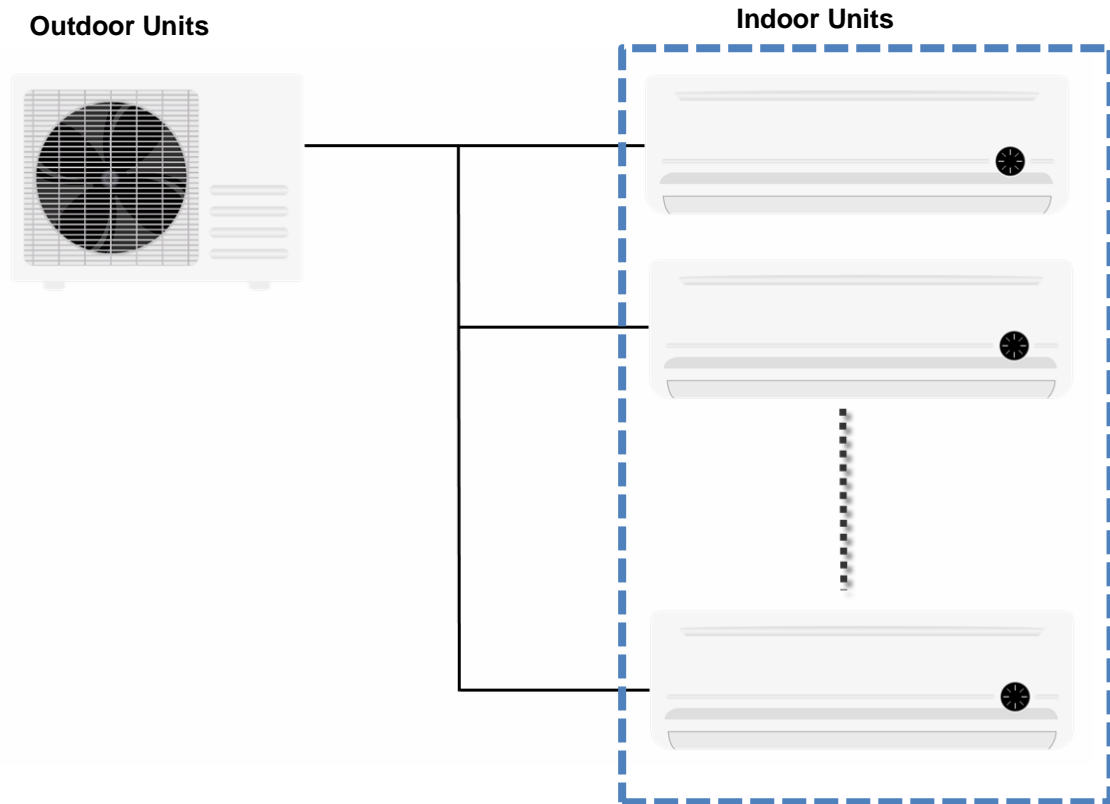


HOW COULD I KNOW IF A FUJITSU / GENERAL / HIYASU / FUJI ELECTRIC SYSTEM CAN BE CONTROLLED WITH ZENNIO GATEWAYS?

1. Identify the model of **indoor units** in the system.



2. You should extract the characters corresponding to the model of indoor unit. Below you can see some examples of indoor units and the characters that correspond to the model:

	Outdoor unit	Indoor unit		Table model
Split	ASY 50 Ui-LF	ASY 50 <u>Ui</u> -LF	→	ASY _Ui-LF
Ducts	AOYG 36 LATT	ARYG 18 <u>LL</u> TB	→	ARYG _LLTB
Cassette	AOYG 24 LAT3	AUYG 14 <u>LVL</u> B	→	AUYG _LVLB

As can be checked in the previous examples, the underline character () will identify the nominal power of each model in the table.

3. **Find that model in the compatibility table below** and check if it is compatible with KLIC-FJ.

If a model of FUJITSU / GENERAL / HIYASU / FUJI ELECTRIC indoor unit is not in this list, please, contact with **Zennio Technical Support** <http://support.zennio.com>

4. The following **conditions** must be met in your model to be **compatible** with KLIC-FJ:

- a. The model is **included** in this table.
- b. The **remote control** that commands your model is listed in [Annex I](#).

If any of the above conditions are not met, please, consult **Zennio Technical Support** <http://support.zennio.com>

5. Some units are marked with notes whose meaning is explained in the last page of this document.

COMPATIBILITY OF FUJITSU INDOOR UNITS WITH KLIC-FJ

	TYPE	MODEL OF INDOOR UNIT
FUJITSU	WALL MOUNTED	ASHG_LMTA ^{1,2,3}
		ASY_Mi-LU/LMC ^{1,2}
		ASY_Ui-LF
		ASY_Ui-LT/LU/LM/LMC ^{1,2}
		ASY_Ui-Mi ¹
		ASYA_LCC
		ASYA_LEC/LKC ^{1,2}
		ASYB_LDC ¹
		ASYG_LTCA/LTCB ^{1,2}
		ASYG_LECA/LECB ^{1,2}
		ASYG_LFCA/LFCC ¹
		ASYG_LJCA ^{1,2}
		ASYG_LMC/LMCA/LMCB/LMCE ^{1,2}
		ASYG_LVCB ^{1,2}
		ASYG_LU/LUCA ^{1,2}
		ASAG_LJCA
		ASU_RLF1 ^{1,2}
		ASU_RMLQ
		ASYA_G
		ASYA_GBCH ³
		ASYA_LATF
		ASYE_LACF ¹
		AS_UFADR/UFAJR ¹
		ASYA_LACH ¹
		ASYE_LACH ¹
		ASYA_GACH/GBCH ³
		ASYE_GACH ³
		ASU_CL/CL1/CLX1 ⁴
		ASU_RLF/RLX/RLB/RLXB ⁴
		ASU_RLF1/RLS/RLS2/RLS3 ⁴
		ASAG_LJCA ^{1,2}
		ASTG_JECB ²
ASTG_CMCA/KMCA ²		

FUJITSU	PARED	ASTG_JVCA ²
		ASTG_LFCA/LFCB/LFCC/JFCC
		ASTG_KUCA ²
		ASTG_LUCA/LUCB ²
		ASTG_LVCA/LVCB/LVCC ²
	DUCT	ACG_UiA-LB ^{1,2,3}
		ACG_UiA-LL/LM ¹
		ACH_UiA-LL ¹
		ACY_UiA-LB ^{1,2,3}
		ACY_UiA- LH/LL/LM ¹
		ACY_UiAT-LH/LM ¹
		ACY_H UiAT-LH ¹
		ACY_K-KA/KH/KL/KM ^{1,3}
		ACY_Ui/UiB
		ACY_Ui-LH ¹
		ACY_Ui-MI
		ACY_UiS-LL/LM ¹
		ACY_LHTA ³
		ARH_LUAN
		ARHG_LHTA/LHTBP/LLTB
		ARHG_LMLA/LMLE
		ARY_UUAK/UUAN/LUAN
		ARYA_LCTU
		ARYC_LCTU/LHTA
		ARYF_LBLU/LBTU
		ARYG_LHTA ¹
		ARYG_LHTBP ^{1,2,3}
		ARYG_LML/LMLA/LMLE/LLTA/LLTB
		ARYG_LSL/LTT/LTTB
		ARU_RLF/RML/RMLQ
		ARY_LUAB/LUAD
		ARXA_LATF/LATH/LALR/LBLR
		AR_UFAAR
ARXC_LATH/LATF		
ARXA_GALH/GBLH/GBTH ³		

FUJITSU	DUCT	ARXB_LALF/LALH
		ARXB_GALH ³
		ARXD_LATH
		ARXD_GALH/GATH ³
		ARXB_LATF/LATR/LATH
		ARXC_GATH/GBTH ³
		ARXG_KHTA ¹
		ARXG_KHTAP ^{1,2,3}
		ARXG_KLLAP/KMLA ^{1,3}
		ARXN_GATH/GBTH ³
		ART_LUAK/TUAJ/UUAK/UUAN
		ARTC_LATU
		ARTG_LDTA
		ARTG_LHTA/LHTB/LHTC/LHTDP
		ARTG_LL/LLLB
		ARYA_LBTU
		ARYF_LBTU
		ARTG_LLTA/LMLC
	ARTA_LBTU/LATU	
	ARSA_FMTA/FMTB/FHTB/UHTB	
	CASSETTE	AUG_FUAS/UUAS
		AUT_UUAS
		AUHG_LRLA/LRLB/LRLE
		AUXG_KRLB/KVLA/LRLB ^{1,3}
		AUY_Ui-MI ¹
		AUY_UiA
		AUY_UiA-LB ^{1,3}
		AUY_UiA-LR/LV ¹
AUY_UiAT-LR ¹		
AUY_UiS-LV ¹		
AUY_LUAS/UUAS		
AUYA_LATN/LATH/LBLU/LCLU		
AUYF_LAL/LBL		
AUYG_LRL/LRLA/LRLE		
AUYG_LVL/LVLA/LVLB/LVLBB		

FUJITSU	CASSETTE	AUYG_LRLB ^{1,2}
		AUU_RLF/RLM/RML
		AU_UFAAR/UFARR
		ARXK_GALH/GCLH ³
		AUXA_GALH ³
		AUXA_LALH
		AUXB_GALH/GBLH ³
		AUXB_LALH/LATF
		AUXD_GALH ³
		AUXD_LALH
		AUT_UUAS
		AUTA_LBLU/LCLU
		AUTG_LRLA
		AUTG_LVLA/LVLC
		AUU_RCLX
		AUU_RLF
	CEILING	ABHG_LRTA/LRTE/LVTA
		ABY_UiA-LR ¹
		ABY_UiAT-LR ¹
		ABYA_LBT/LTC
		ABYF_LBT
		ABYG_LRTA/LRTE
		AGY_UiAT-LH
		AGYG_LVCA/LVCB ¹
		AGYF_LAC ¹
		AGYG_LVTA/LVTB
		ABYA_GATH ³
		ABYA_LATF/LBTH
	ABU_RSLX	
	UNDER CEILING	ABTA_LAT/LBT/LCTU
		ABTG_LRTA
	CEILING WALL	AWYA_LATF
	FLOOR / CEILING	ABY_UiA-LV ¹
ABY_UiS-LV ¹		
ABYA_GATH ³		

FUJITSU		ABTG_LVTA/LVTC
	CEILING / WALL	ABYG_LVTA/LVTB
	FLOOR	AGU_RLF ¹
		AGY_Ui-LV/MI
		ARXD_GALH ³
	COMPACT CONSOLE	ABYA_GATH ³
	UNIVERSAL	ABU_RULX

COMPATIBILITY OF GENERAL INDOOR UNITS WITH KLIC-FJ

GENERAL	TYPE	MODEL OF INDOOR UNIT
	WALL MOUNTED	
		ASG_Ui-LF
		ASG_Ui-MI ¹
		ABG_UiA-LR ¹
		ABG_UiAT-LR ¹
		ACG_Ui-MI
		AGG_Ui-LV ¹
		ASGA_AET ¹
		ASGA_FETA-B/FUTA-B ^{1,2}
		ASGA_FETA-U/FMTB-U ^{1,2}
		ASGA_FUTA-U/FUTA-U ^{1,2}
		ASGA_FMTA/FMTA-A/FTTA/FTTA-A ¹
		ASGA_JCC ¹
		ASGG_LJCA/LMCA ^{1,2}
		ASGG_LFCA/LFCD ¹
		ASHA_LKC ^{1,2}
		ASHG_LT/LTCA/LTCB ^{1,2}
		ASHG_LE/LEC/LECA/LECB ^{1,2}
		ASHG_LMCA ^{1,2}
		ASHG_LU/LUCA ^{1,2}
		ASHG_LJ/LJCA ^{1,2}
		ASHG_LF/LFCA/LFCC/LFCD ¹
		ASHB_LDC ¹
		ASHA_LATF
		ASGE_LACF
		ASGE_GACH ³
		ASGA_LATF ¹
		ASGA_GACH/GATH ³
		ASG_UFADR/UFAJR ¹
		ASHA_LACH
		ASHE_LACH
	ASHA_GACH ³	
	ASHE_GACH ³	

GENERAL	DUCT	ACG_Ui-LH ¹
		ACG_UiA-LA/LB ^{1,2,3}
		ACG_UiA-LH/LL/LM ¹
		ACG_UiAT-LH/LL/LM ¹
		ACG_HUiAT-LH ¹
		ACG_Ui-MI ¹
		ACG_Ui-MIN ^{1,3}
		ACG_UiS-LL/LM ¹
		ACG_K-KA/KL/KM ^{1,3}
		ACG_K-KH ¹
		ARH_LUAN/UUAN
		ARHF_LB/LBLU/LBTU
		ARHF_LALU ¹
		ARHG_LLTA/LLTB
		ARHG_LM/LMLA/LMLE
		ARHA_LC/LCTU
		ARHA_LB/LBTU
		ARHC_LC/LCTU
		ARHG_LHTA
		ARG_ALC/ALC3/ ALCH/ALD3
		ARG_AUAK/AUGA
		ARG_ELC3
		ARG_FUAK/FUAL/FUAN
		ARG_RLC/RLC3
		ARG_RUAK
		ARG_TLC3
		ARG_UU/UUAK/UUAL/UUAN
		ARGA_FHTA/FMTA
		ARGA_GBTH ³
		ARGD_GATH ³
		ARGG_LLLA/LLLB-A ¹
		ARGG_LMLA-A/LMTA ¹
		ARGK_GALH/GCLH ³
		ARHC_LHTA
ARX_GBTH		

GENERAL	DUCT	ARXB_LALF/LALH/LATF/LATH
		ARXA_LATF/LATH/LALR/LALH/LBLR
		ARXC_LATF/LATH
		ARXB_LATR/LATH
		ARXK_GCLH ³
		ARXH_GTAH ³
		ARYG_LMLE
		ARSA_UHTB/UMTA/UMTB
		AR_UFAAR
		ARXA_GALH/GBLH ³
		ARXB_GALH ³
		ARXC_GATH/GBTH ³
		ARXD_GALH/GCLH ³
		CASSETTE
	AUG_UiA-LR/LV ¹	
	AUG_UiAT-LR ¹	
	AUG_UiS-LV ¹	
	AUG_Ui-MI ¹	
	AUG_K-KA/KR/KV ^{1,3}	
	AUH_LUAS	
	AUHG_LR LRLA/LRLE ¹	
	AUHG_LV/LVLA/LVLB ¹	
	AUHF_LAL/LBL/LB ¹	
	AUHA_LB/LC ¹	
	AUHA_LBLU/LCLU	
	AUG_UU/UUAR/UUAS	
	AUG_UFARR/UFASR	
	AUG_FUAR/FUAS	
	AUGA_LATF/FRTA	
	AUGA_GALH ³	
	AUGB_GALH/GATH ³	
	AUGD_GALH ³	
	AUGG_LRLA-A/LVLA-A ¹	
	AUXA_GALH ³	
AUXB_GALH/GBLH ³		

GENERAL		AUXD_GALH ³	
		AUXB_LATF/LALH	
		AUXA_LALH	
		AUXD_LALH	
		AUTG_LVLA/LVLC	
		AU_UFAAR	
	FLOOR		AGG_Ui-LV ¹
			AGG_Ui-MI ¹
			AGH_LV ¹
			AGHF_LA/LAC ¹
			AGHG_LV/LVCA/LVCB ¹
	FLOOR / CEILING		ABG_UiA-LV ¹
			ABG_Ui-MI ¹
			ABGA_GATH ³
			ABGA_LATF
			ABHA_GATH ³
			ABHA_LBTH ¹
			ABHF_LB ¹
	CEILING		ABHG_LV/LVTB ¹
			ACG_UiAT-LH ¹
			ABGA_LATF
			ABGG_LRRTA-A/LVTA/LVTA-A ¹
			ABHG_LR/LRTA/LRTE ¹
			ABHG_LVTA/LVTB
			ABHF_LBT
			ABHA_LB/LC ¹
			ABHA_LBT/LCT/LBTH
		ABHA_GATH ³	
	CEILING WALL		AWGA_LATF

COMPATIBILITY OF HIYASU INDOOR UNITS WITH KLIC-FJ

	TYPE	MODEL OF INDOOR UNIT
HIYASU	WALL MOUNTED	ASH_Ui-LF
		HSA_LKC ^{1,2}
		HSG_LTCA/LMCA/LUCA/LJCA ^{1,2}
		HSG_LECA ^{1,2}
		HSG_LFCA/LFCC ¹
		HSB_LDC ¹
	DUCT	ACH_UiA_LL/LM/LH ¹
		ACH_UiAT-LH/LM ¹
		ACH_HUiA-LH/HUiAT-LH ¹
		HRG_LLTA/LLTB/LHTA
		HRF_LBTU
		HRA_LALU/LATH/LATU/LBTU/LCTU
		HRC_LCTU
		HRF_LALU/LBLU
		HR_UA
	CASSETTE	AUH_UiA-LV/LR ¹
		AUH_UiAT-LR ¹
		HUG_LVLA/LVLB/LHLA/LHLE
		HUF_LAL/LBL
		HUA_LATN/LATU
		HUA_LBLU/LCLU
		HU_UA
	FLOOR	HGF_LAC ¹
		HGG_LVCA/LVCB ¹
	FLOOR / CEILING	ABH_UiA-LR/LV
		ABH_UiAT-LR
	CEILING	HBG_LVTA/LVTB
		HBF_LBT
		HBFF_LBT
		HBG_LRTA/LRTE
		HBA_LBT/LCT

COMPATIBILITY OF FUJI ELECTRIC INDOOR UNITS WITH KLIC-FJ

	TYPE	MODEL OF INDOOR UNIT
FUJI ELECTRIC	WALL MOUNTED	ACY_UiA-LB ^{1,2,3}
		ACY_UiA-LH/LL/LM ¹
		ACY_UiAT-LH/LM ¹
		ASF_Ui-LU ^{1,2}
		ASF_Ui-LM ¹
		ASF_Ui-LF
		ASF_MI-LM ^{1,2}
		RSA_LKC/LEC ^{1,2}
		RSG_LTCA/LTCB/LMCA/LECB ^{1,2}
		RSG_LUCA/LJCA/LFCA/LFCC ^{1,2}
		RSG_LECA ^{1,2}
		RSG_LMTA ¹
		RSG_LDC
		DUCT
	ACF_UiA-LL/LM/LH ¹	
	ACF_UiAT-LM/LH ¹	
	ACY_Ui-MI	
	ACY_UiS-LM ¹	
	RD_CC/EC/HC/TC	
	RD_LAN	
	RD_UA	
	RDA_FHTB-S/UHTB-S	
	RDA_FMTA-S/FMTB-S	
	RDA_UMTA-S/UMTB-S/OUMTB-S	
	RDA_LALU/LATN/LCTU/LBTU	
	RDC_LCTU/LHTA	
	RDF_LALU/LBLU/LBTU	
	RDG_LHTA/LLTA/LLTB	
	RDG_LMLA/LMLE	
	RDG_LHTBP ¹	
	CASSETTE	AUF_UiA-LV/LR ¹
		AUF_UiAT-LR ¹
		AUY_Ui-MI ¹

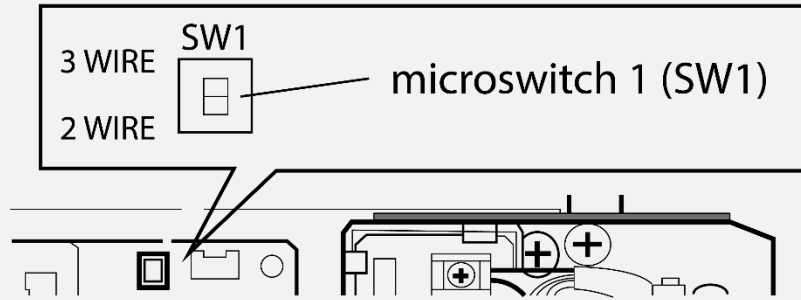
FUJI ELECTRIC	CASSETTE	AUY_UiA-LB ^{1,3}
		AUY_UiA-LR/LV ¹
		AUY_UiS-LV ¹
		RC_UA
		RCA_FRTA-S/URTA-S
		RCA_LATN/LATU/LBLU/LCLU
		RCF_LAL/LBL
		RCG_LRLA/LRLE/LRLB
		RCG_LVLA/LVLB
	FLOOR	AGF_Ui-LF
		AGY_Ui-LV/MI
		RGF_LAC ¹
		RGG_LVCA/LVCB ¹
	CEILING	ABF_UiA-LR ¹
		ABF_UiAT-LR ¹
		RYG_LVTA/LVTB/LRTA/LRTE
		RYF_LBT
		RYFF_LBT
		RYA_LBT/LCT
	FLOOR / CEILING	ABF_UiA-LV ¹
ABY_UiA-LR/LV ¹		
ABY_UiS-LV ¹		
ABY_UiAT-LR ¹		

NOTES MEANING

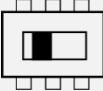

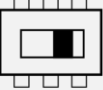
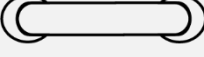
¹ The units marked with this note it will be necessary to use an external connection kit (wire with connector).*

² The units marked with this note could need a communication kit.*

³ PCB microswitch 1 (SW1) must be moved to position "3WIRE" before turning on the indoor unit.



Besides, jumper 9 (JM9) has to be connected, in case this unit has available jumper 9 (JM9). Otherwise, the PCB will not recognise the position of microswitch 1 (SW1).

	microswitch 1 (SW1)	jumper 9 (JM9)
2-wire remote controller connected	 2WIRE/3WIRE (Factory setting)	 JM9 (Disconnected)
3-wire remote controller connected or Server Room Control	 2WIRE/3WIRE	 JM9 (Connected) (Factory setting)

⁴ It requires a wired remote controller.

*Contact the indoor unit manufacturer in order to purchase the required item.

ANNEX I: WIRED REMOTE CONTROLLERS COMPATIBLE WITH KLIC-FJ

REMOTE CONTROL MODEL
AR-3TA
AR-3TA1/ AR-3TA5 / AR-3TA6
AR-6TA
AR-WAE1E
UTB-GPB
UTB-GUB
UTY-RNNGM
UTY-RNNXM
UTY-RNNYM
UTY-RSNGM
UTY-RSNXM
UTY-RSNYM
UTY-RVNGM
UTY-RVNXM
UTY-RVNYM
UTY-LRHG1
UTY-LRH*1
UTY-LRH*A2
UTY-LRHGA2
UTY-LRH*M
UTY-LRHGM
UTY-LRJG1

NOTE: The asterisk is used to express a certain reference generally and it means that several variations of this reference may be found. For example, for reference **UTY-LRH*1**, we can find several references such as:

- **UTY-LRHG1**
- **UTY-LRHX1**
- **UTY-LRHY1**